

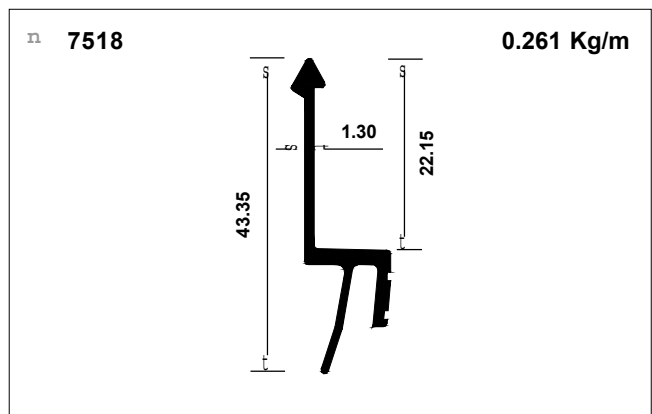
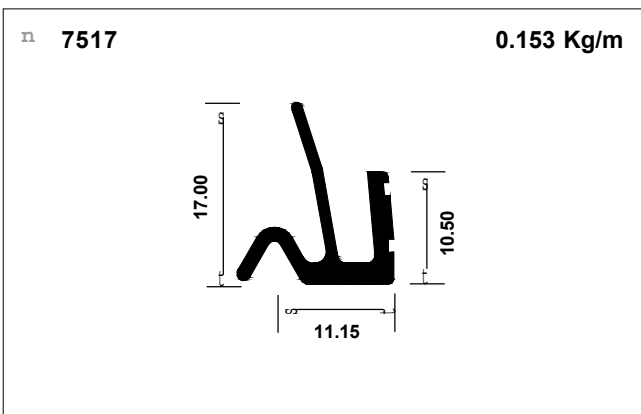
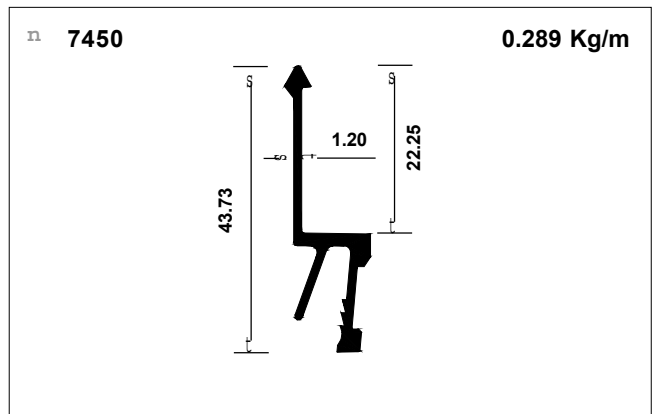
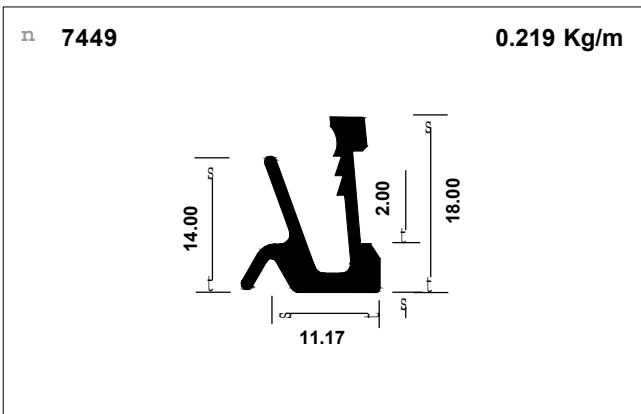
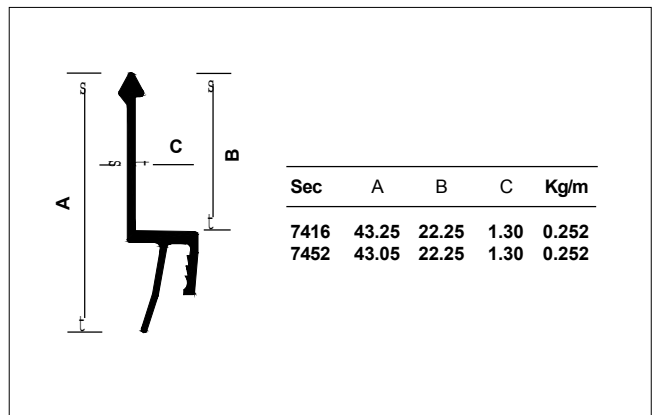
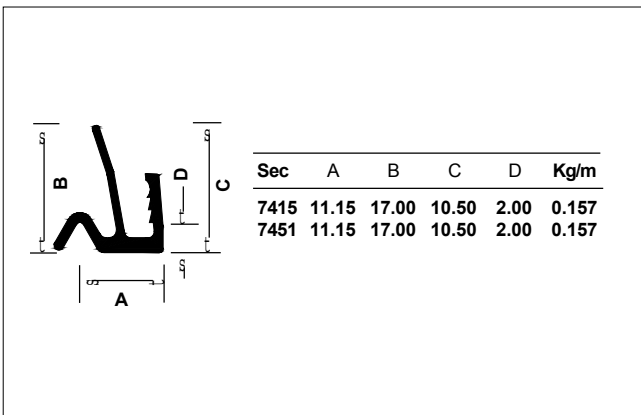
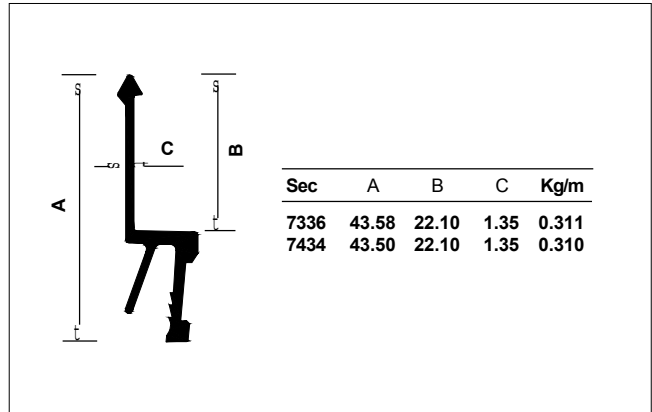
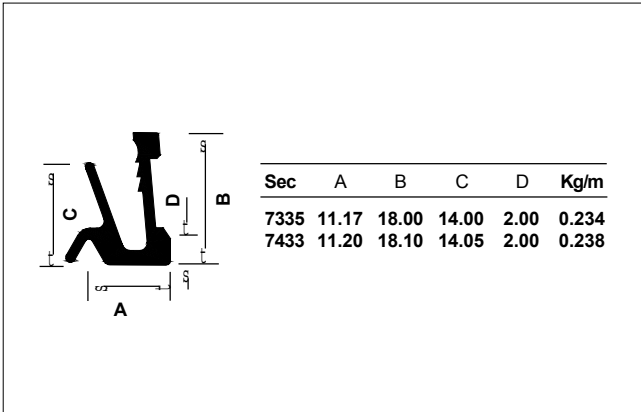
Consumer



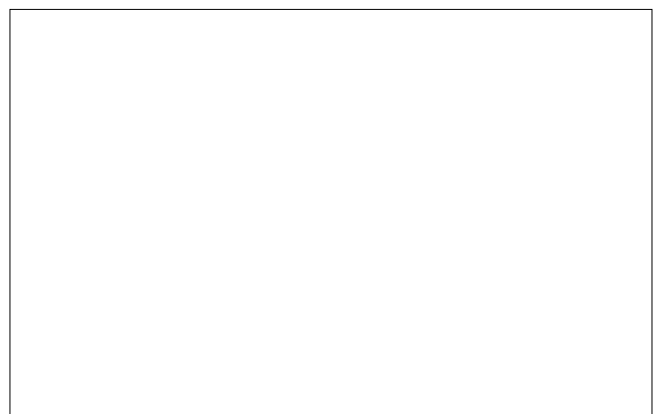
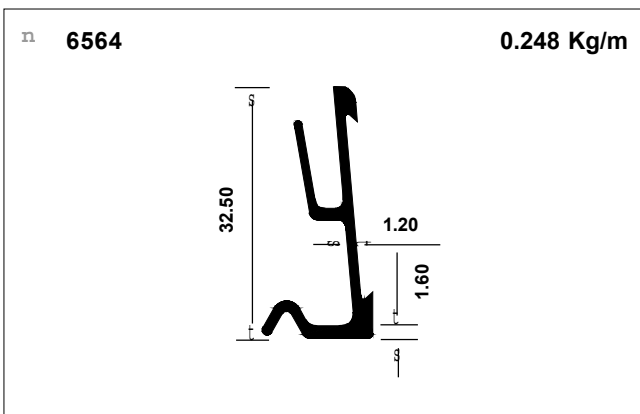
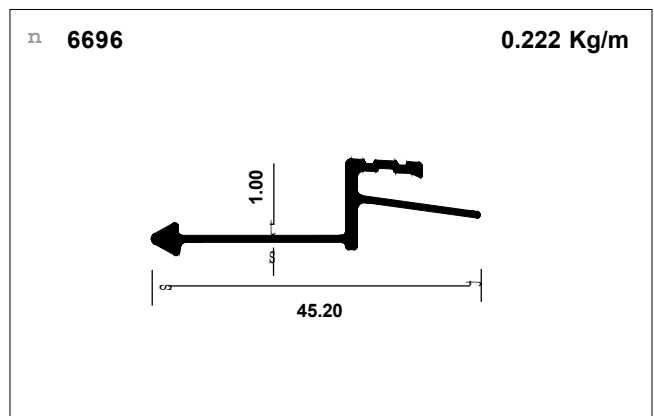
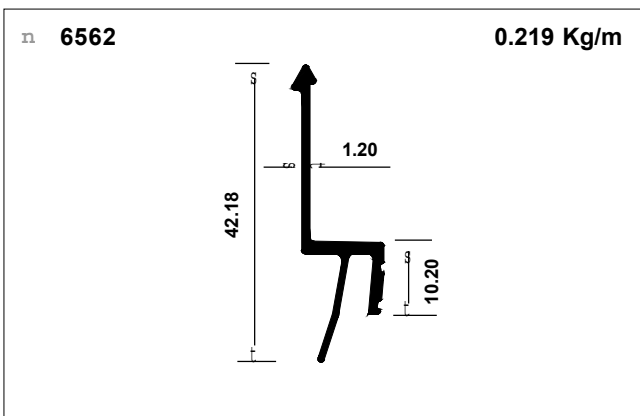
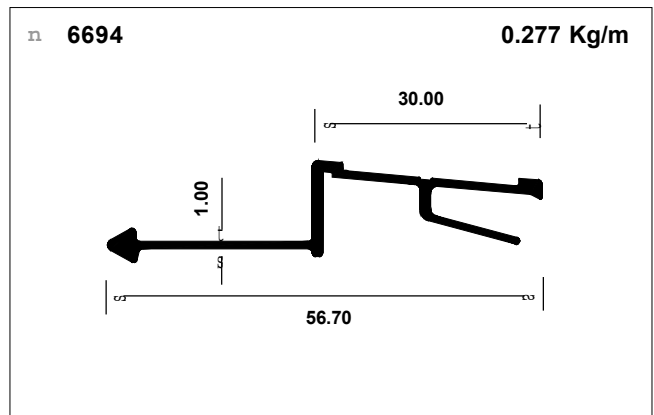
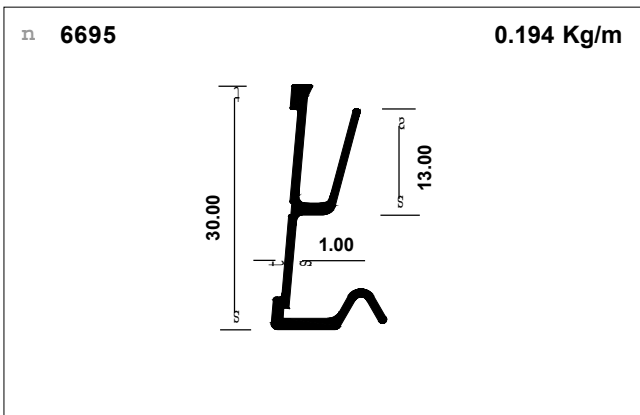
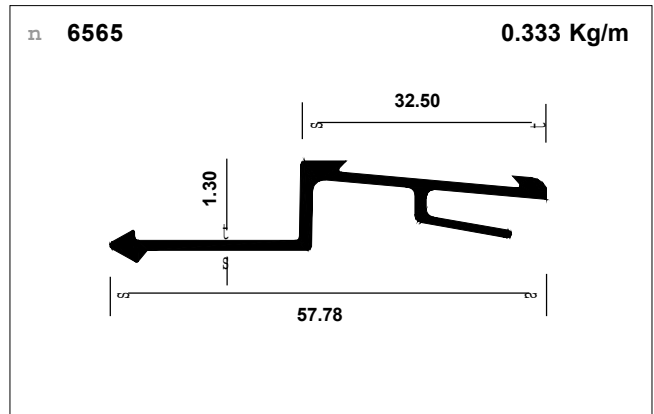
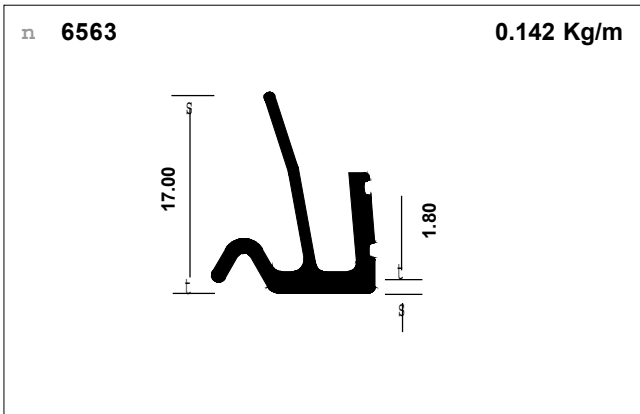
Click on the desired sub-segment to go directly to the page

Consumer		1-22
Luggage	-----	4
Tennis racket	-----	8
Air condition grills	-----	9
Solar panels	-----	13
Photo frames	-----	18

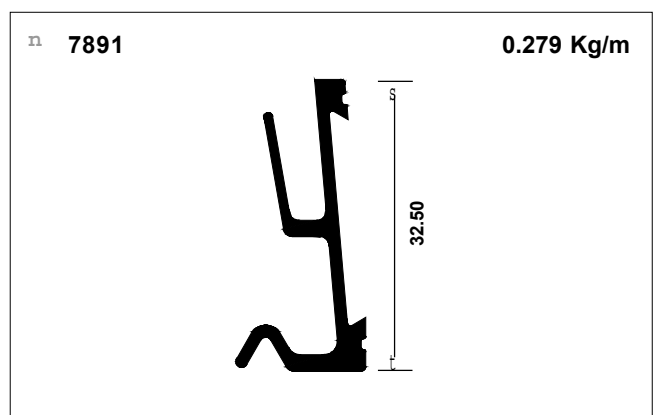
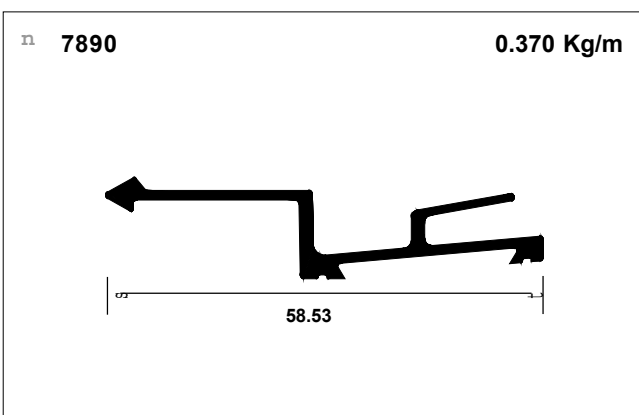
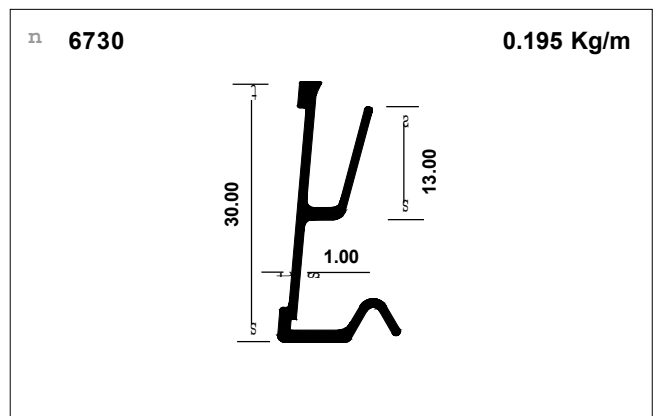
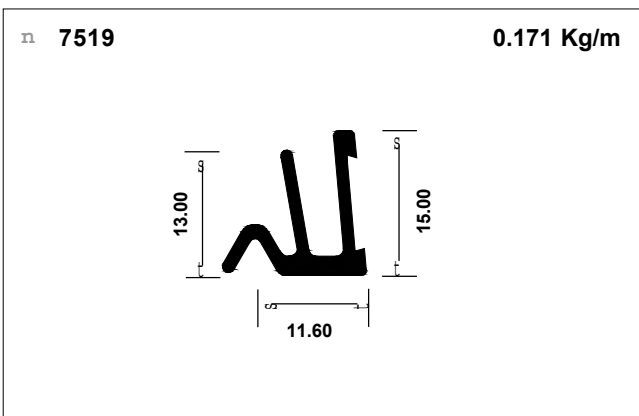
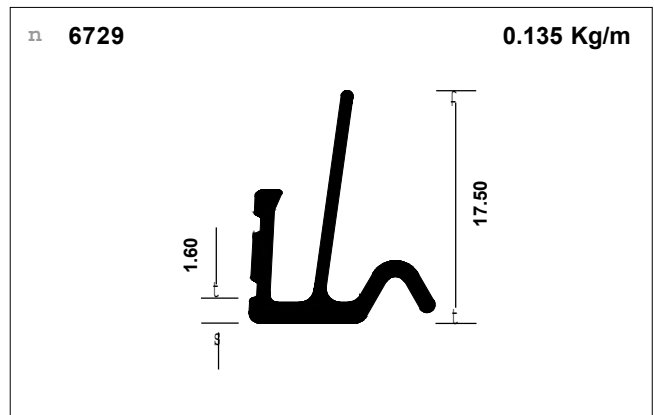
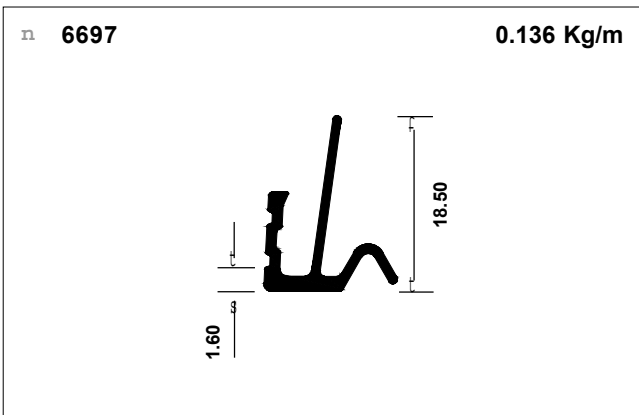
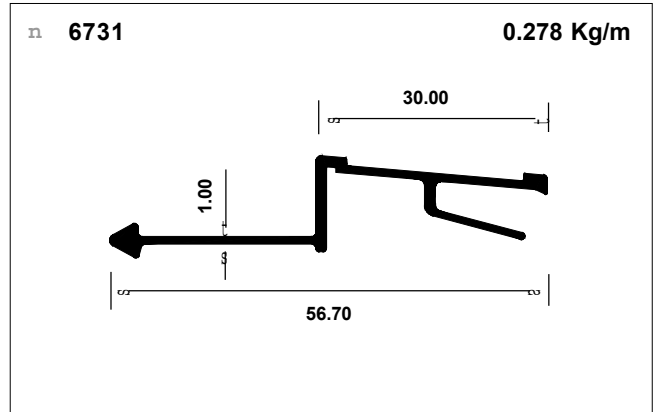
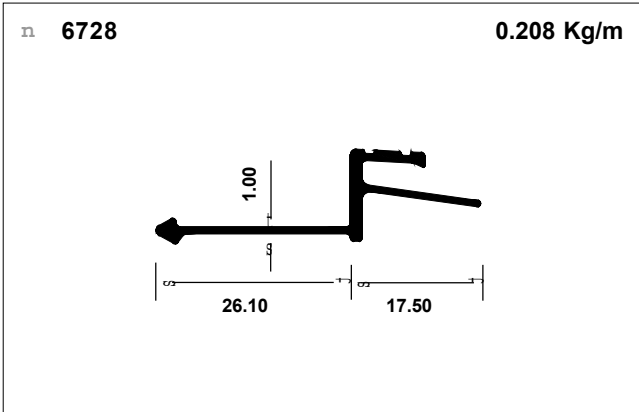
Luggage



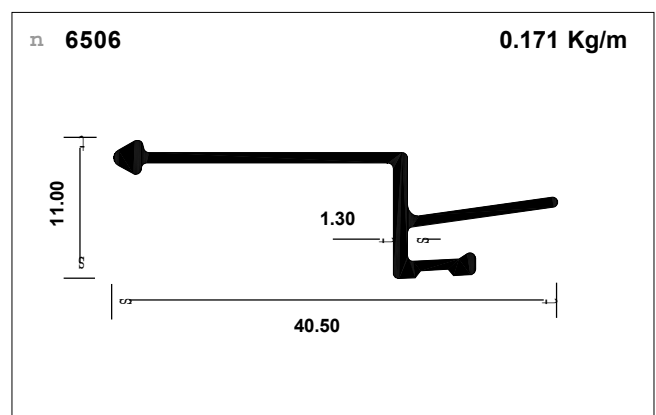
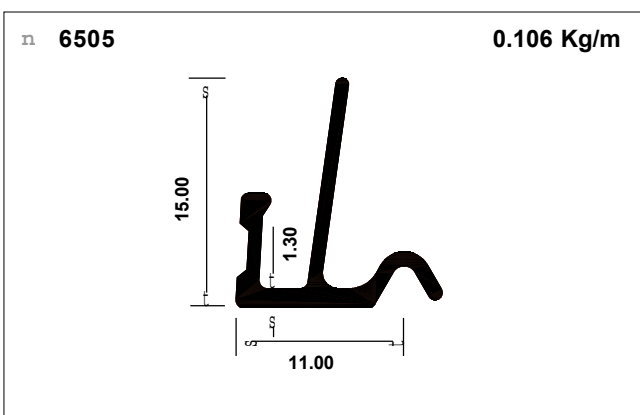
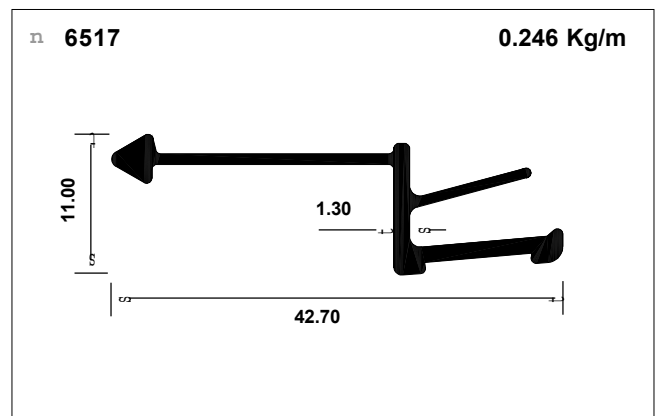
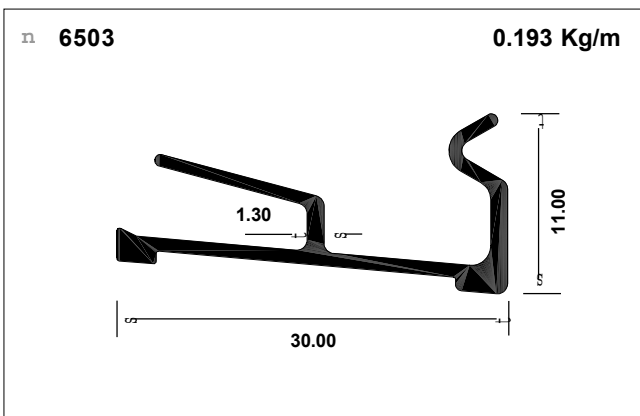
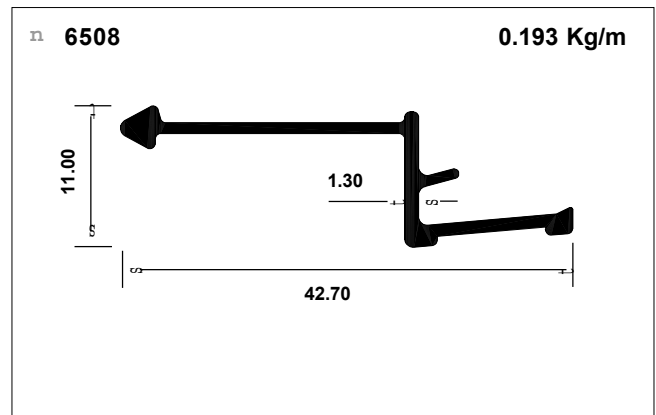
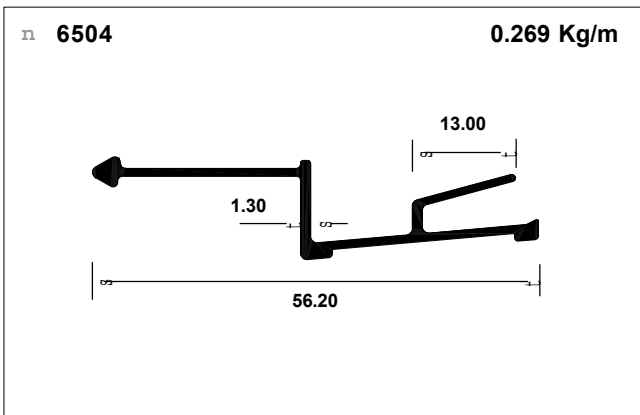
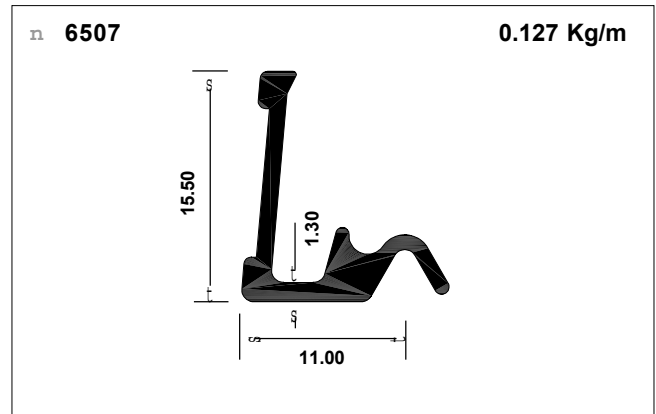
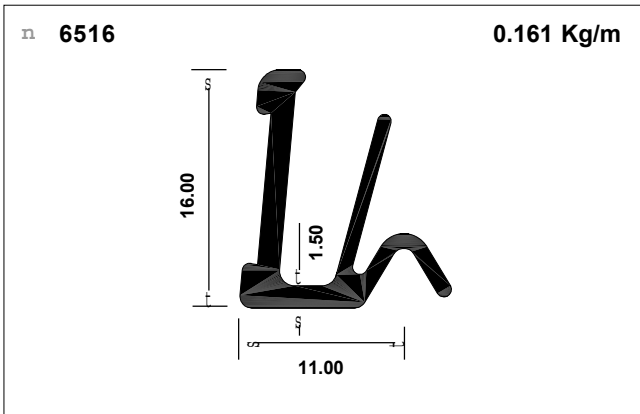
Luggage



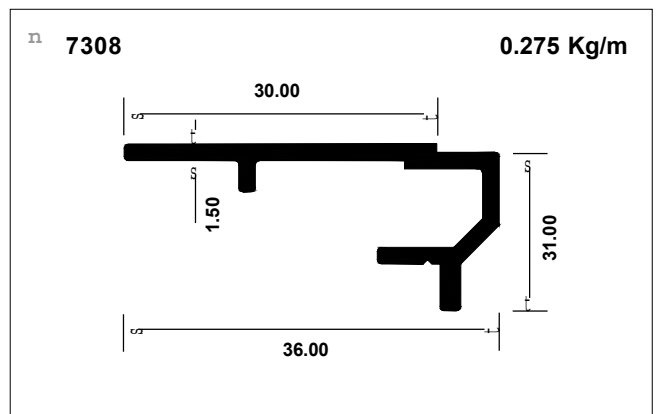
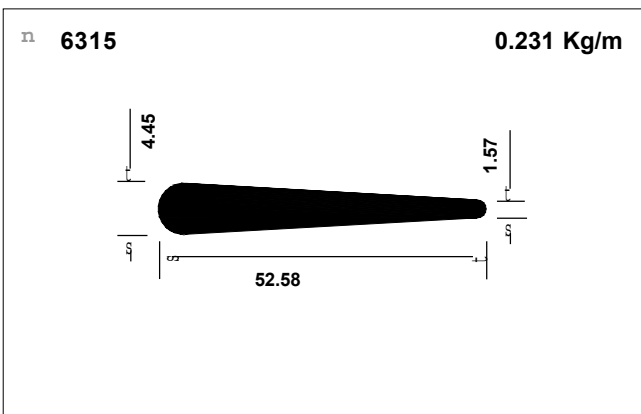
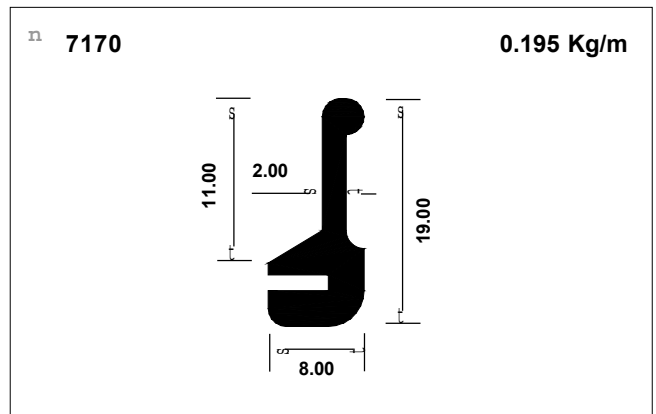
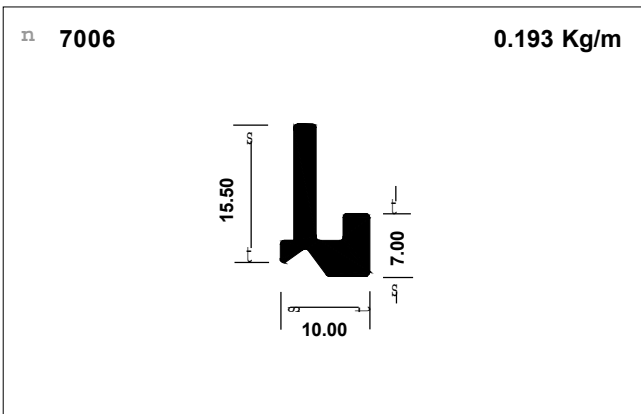
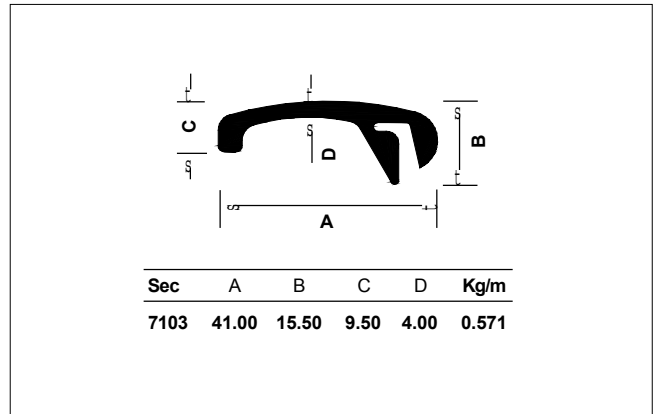
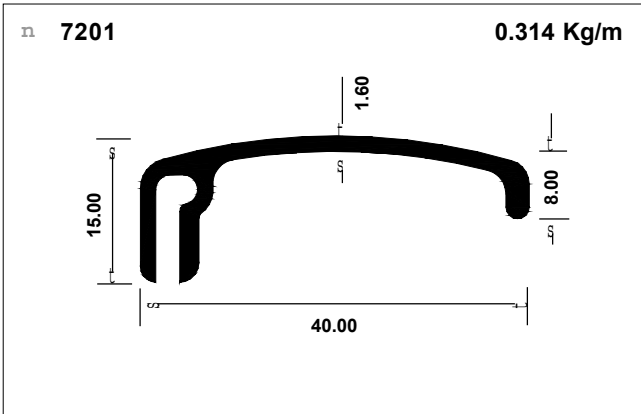
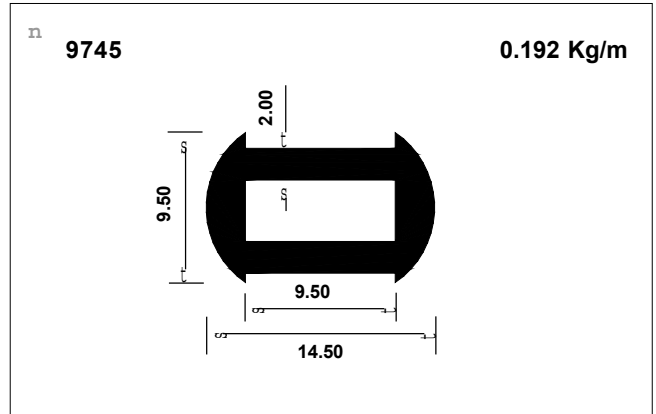
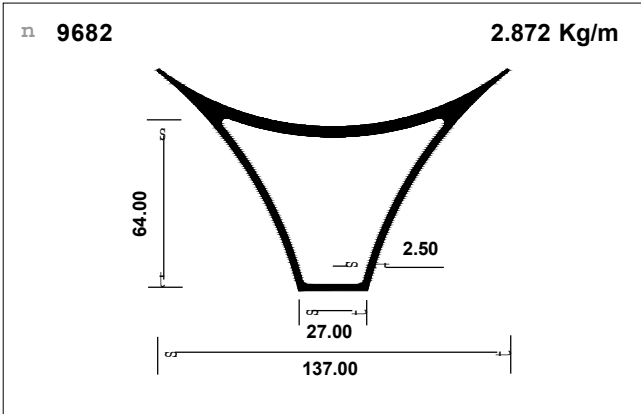
Luggage



Luggage



Tennis racket & Tea tray



Air conditioner grill

Sec	A	B	Kg/m
6440	22.00	2.50	0.191
4699	16.00	2.00	0.110

n 5618 0.130 Kg/m

n 4697 0.108 Kg/m

n 4698 0.093 Kg/m

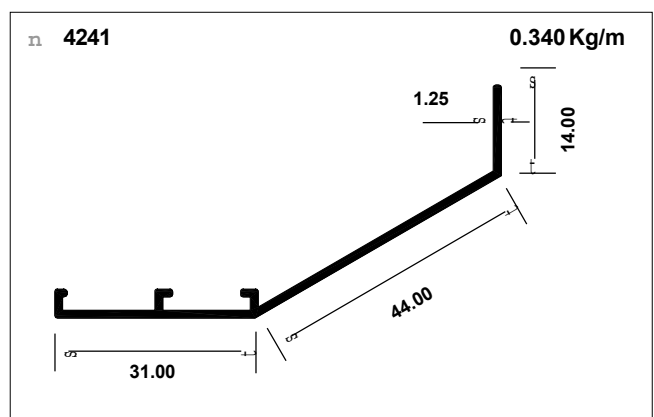
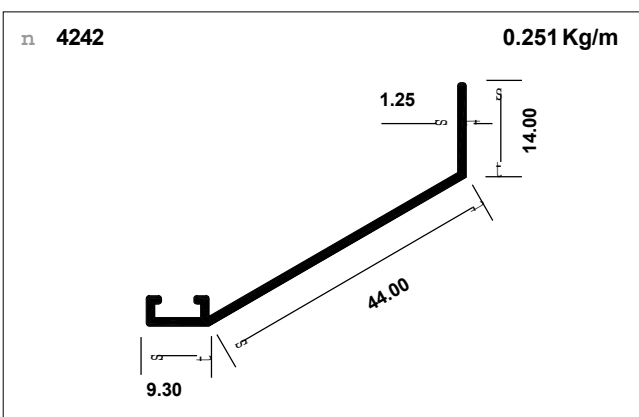
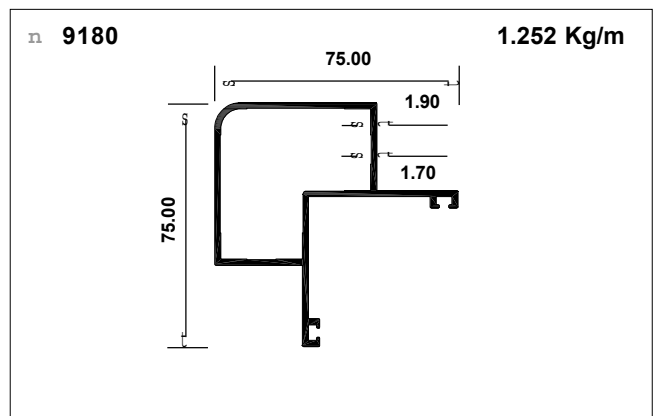
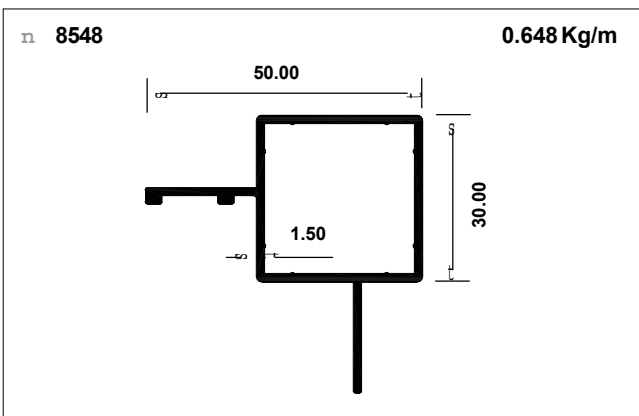
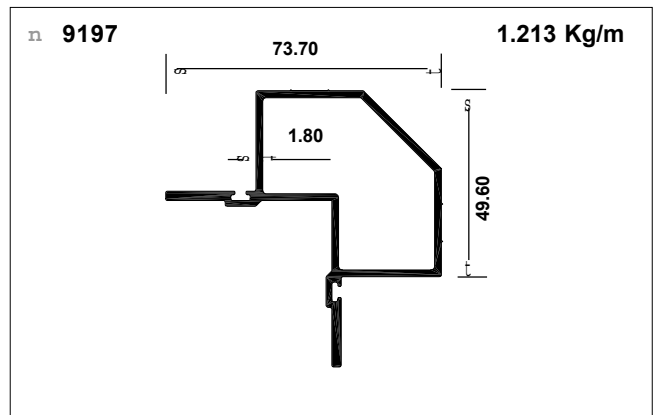
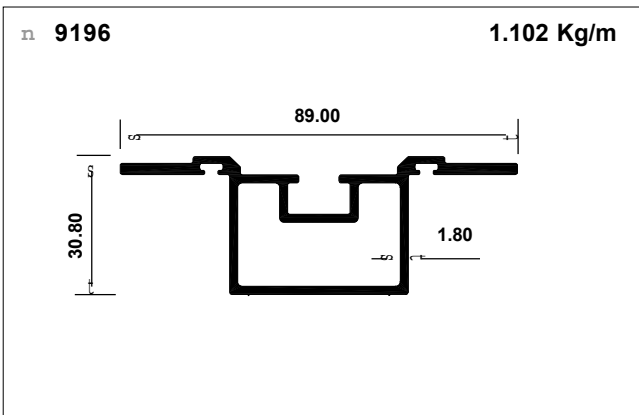
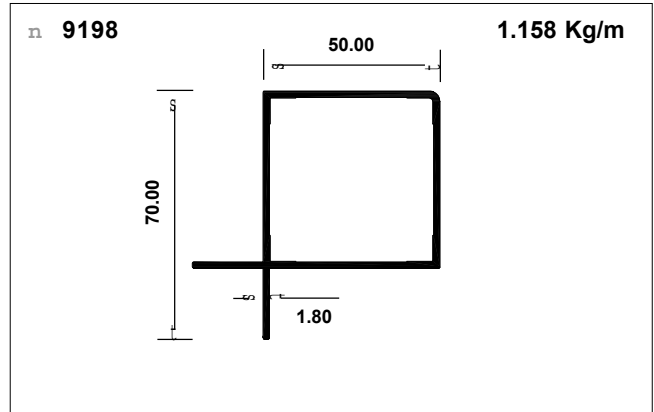
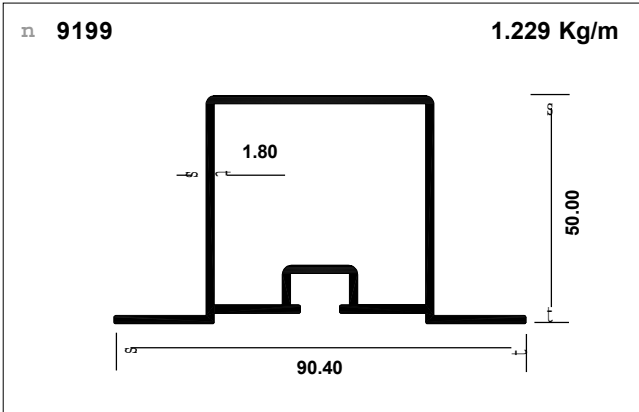
Sec	A	B	C	Kg/m
6441	22.00	5.20	2.50	0.179
5619	18.00	5.80	1.70	0.118

n 7952 1.638 Kg/m

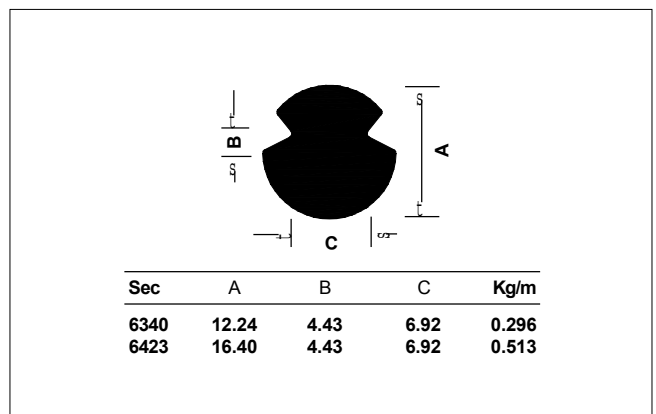
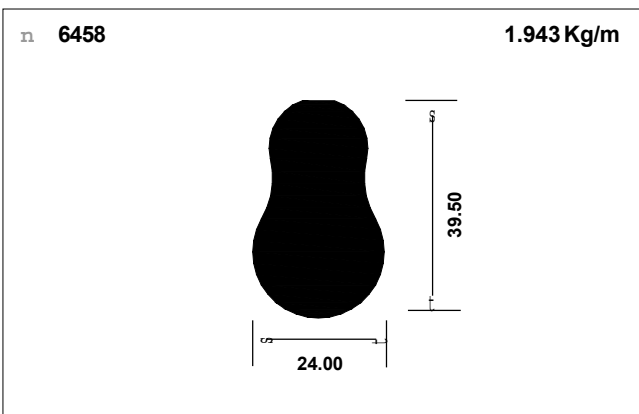
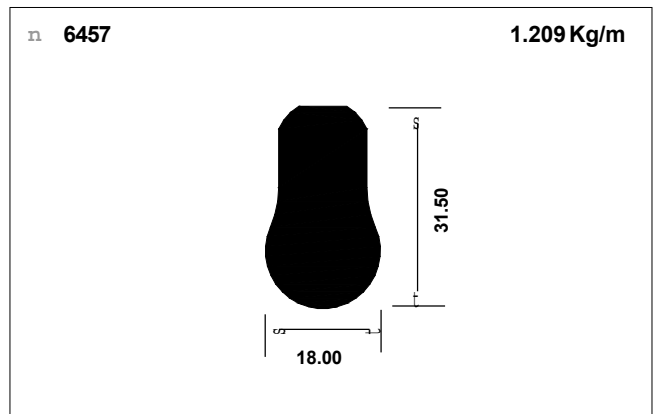
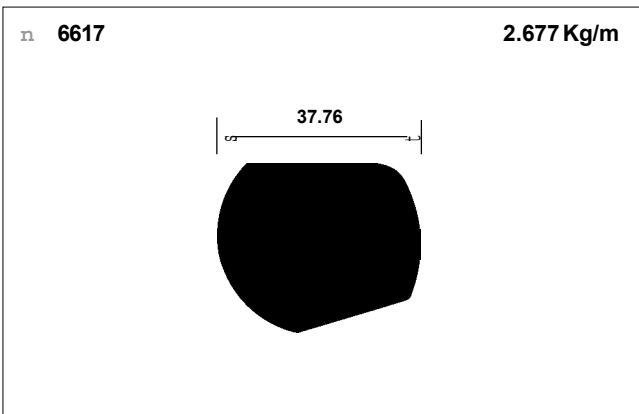
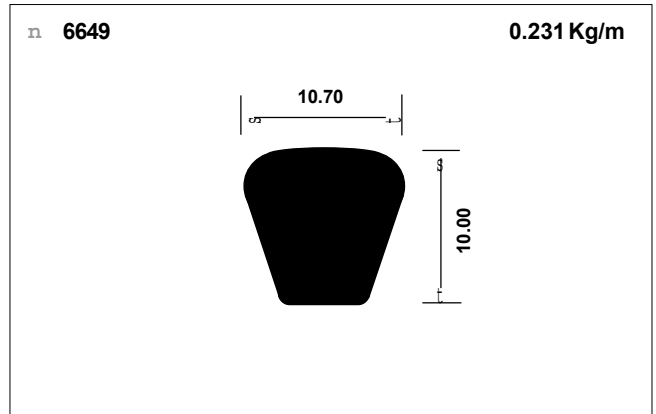
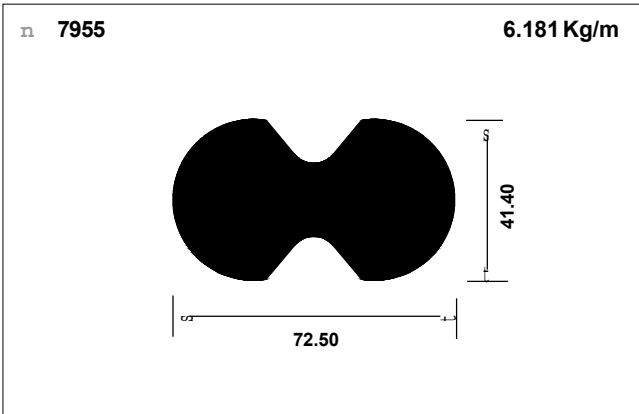
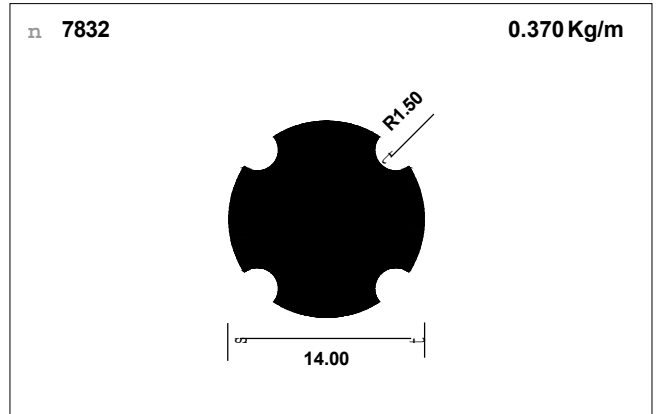
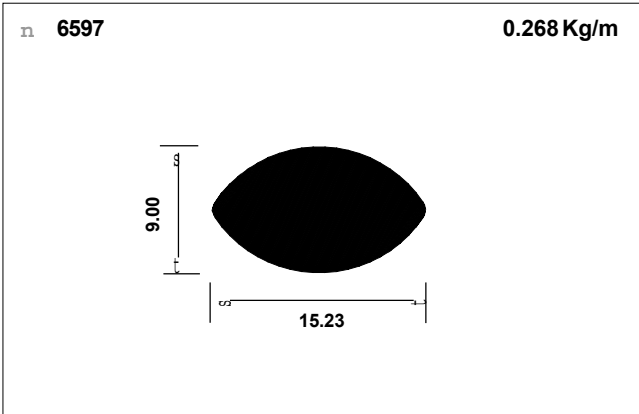
n 6472 0.229 Kg/m

n 7950 0.778 Kg/m

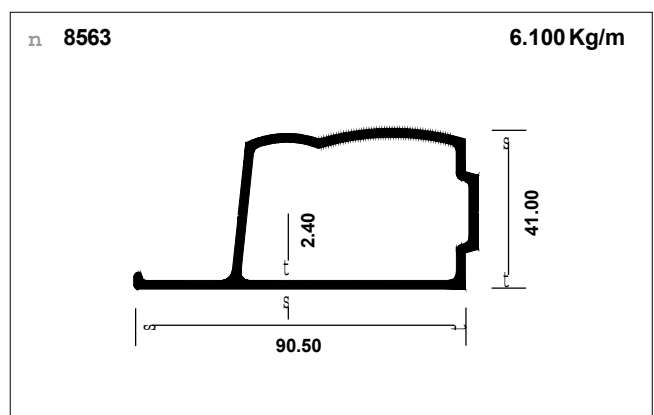
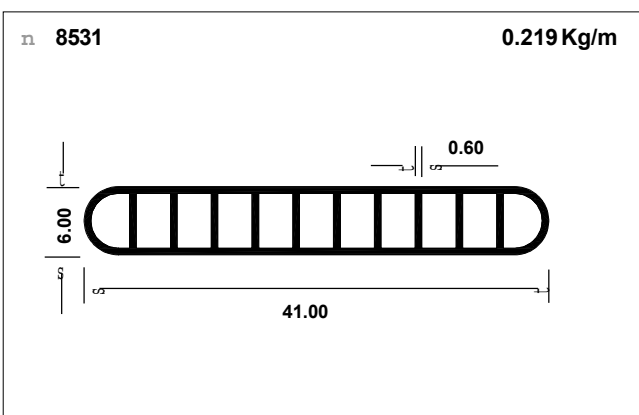
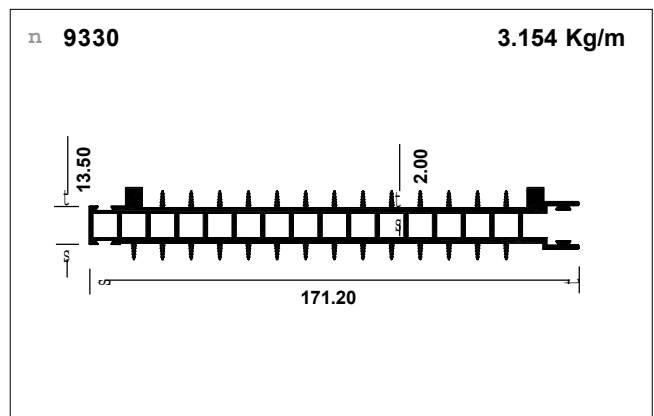
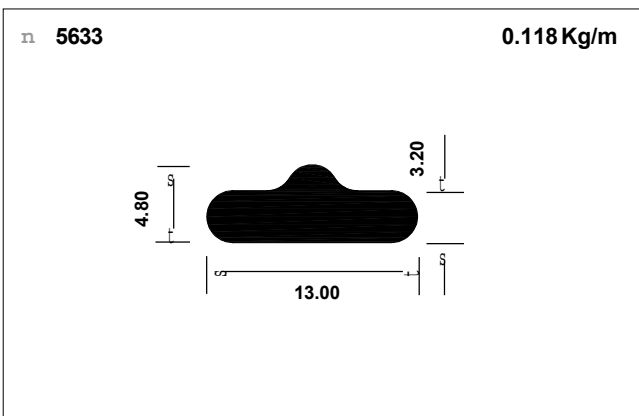
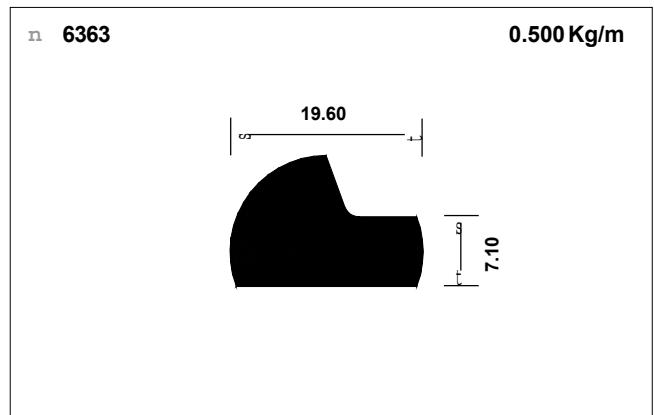
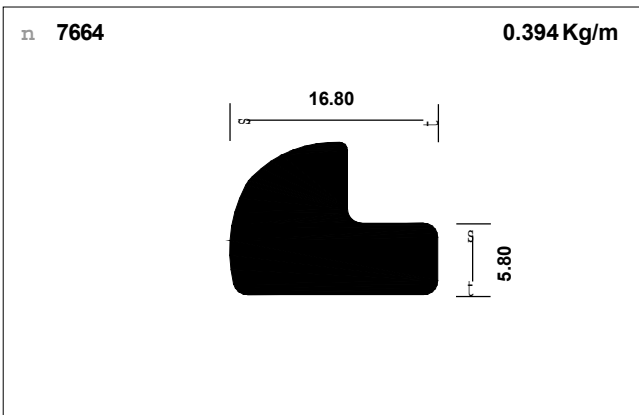
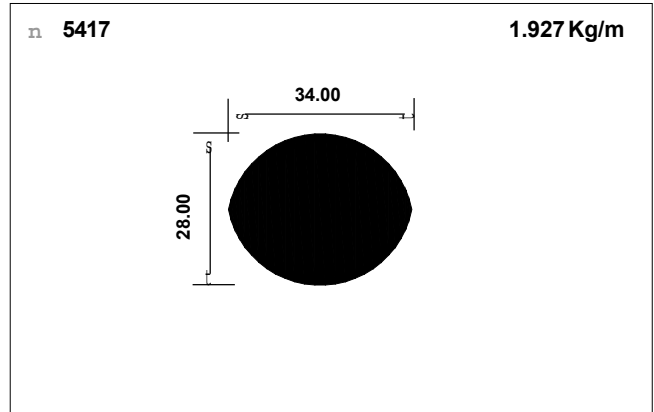
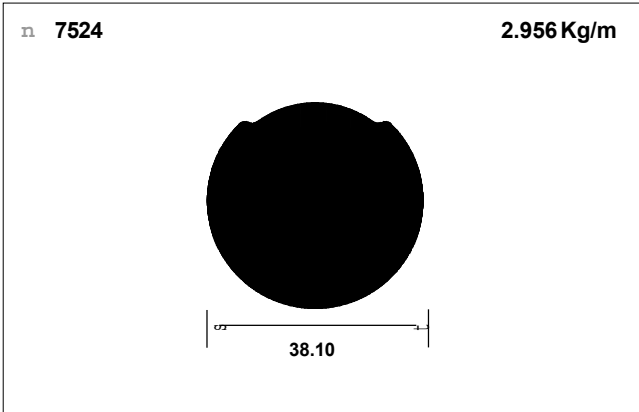
Air conditioner panels



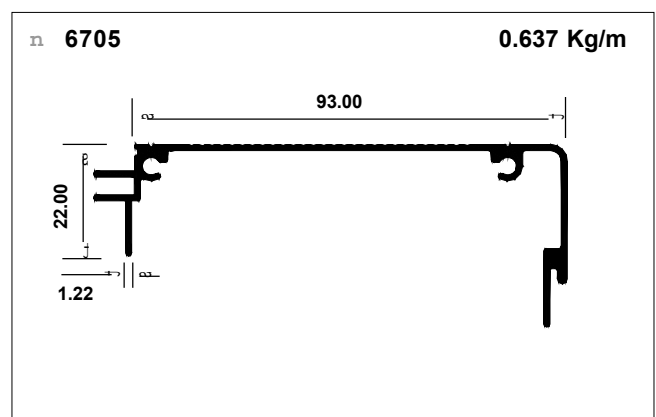
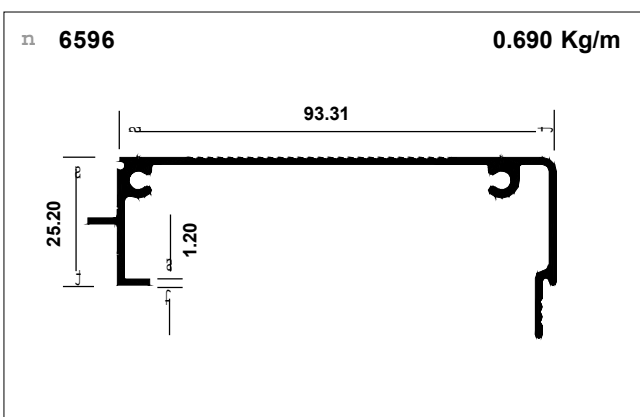
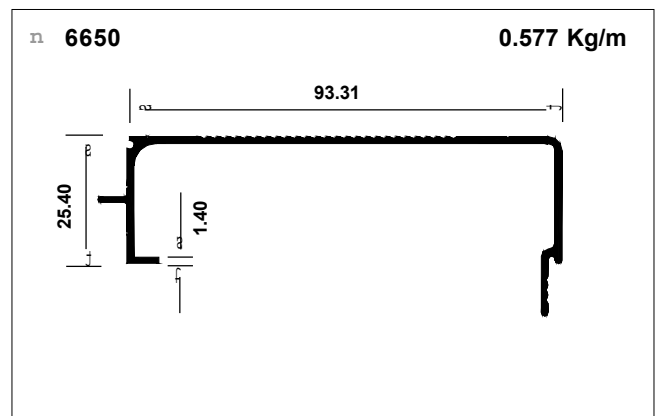
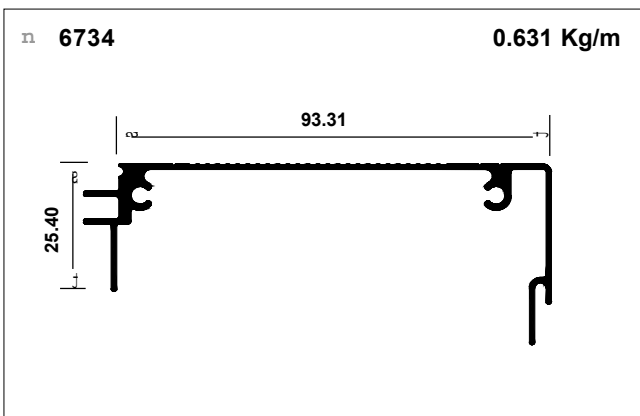
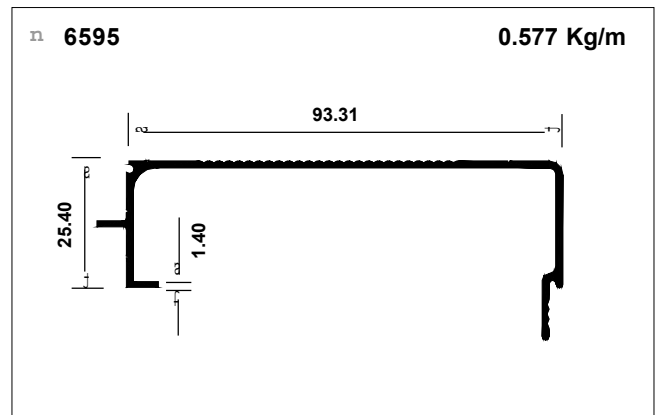
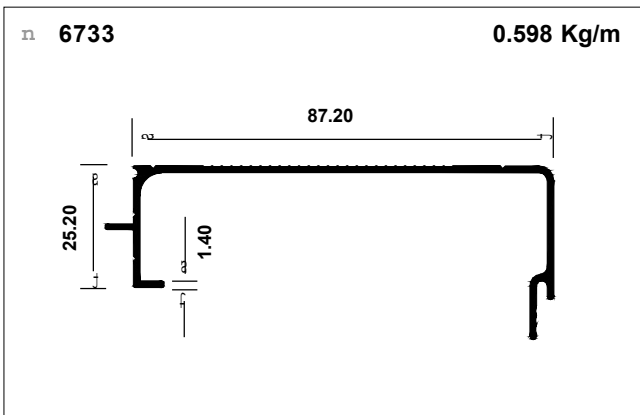
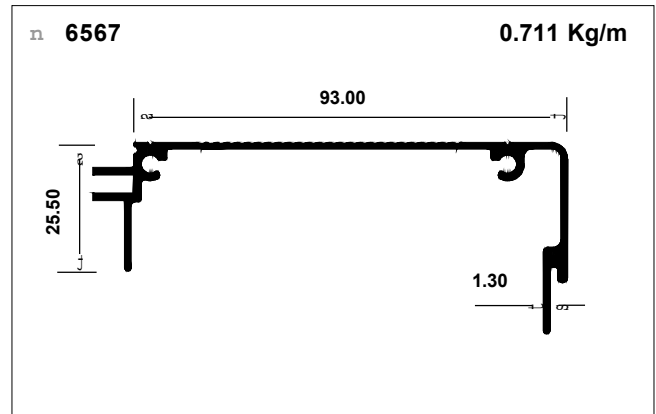
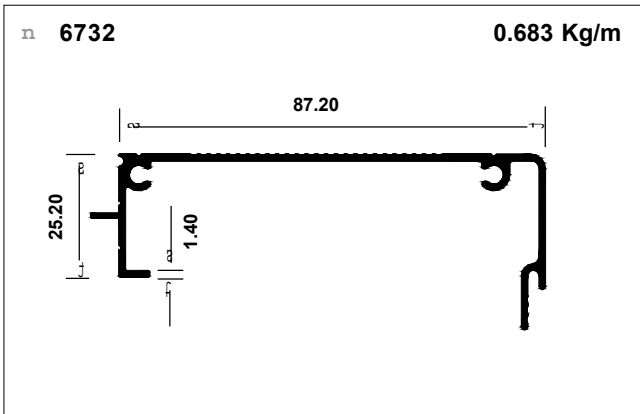
Car air conditioner



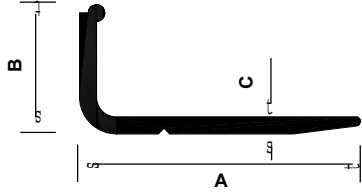
Car air conditioner



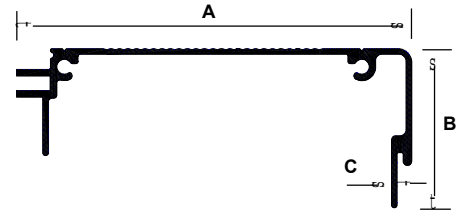
Solar panels



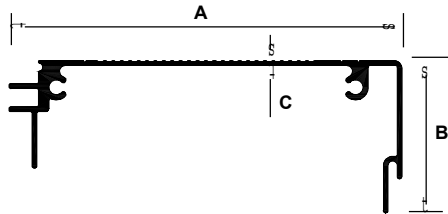
Solar panels



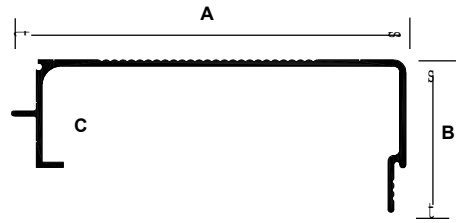
Sec	A	B	C	Kg/m
7888	25.00	11.50	1.30	0.115
7974	24.40	11.73	1.50	0.134



Sec	A	B	C	Kg/m
6783	93.00	37.50	1.20	0.661
6796	93.00	36.00	1.10	0.589



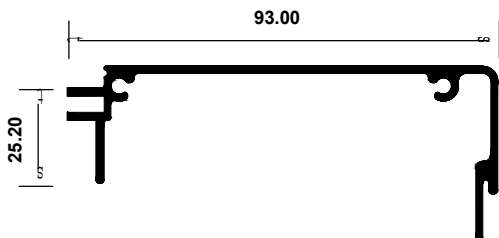
Sec	A	B	C	Kg/m
7975	93.31	36.00	1.25	0.684



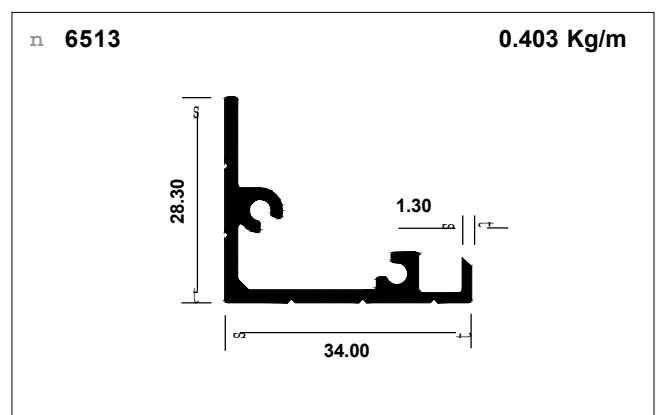
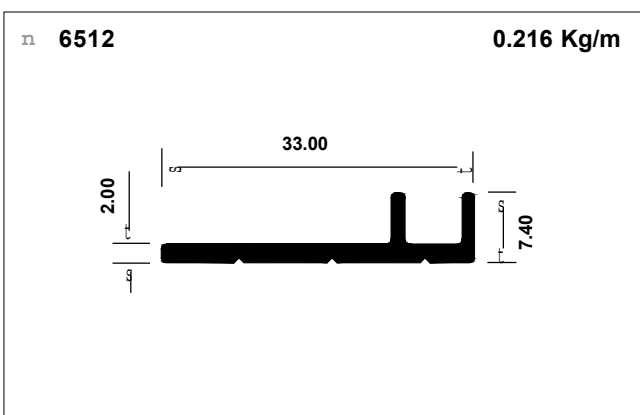
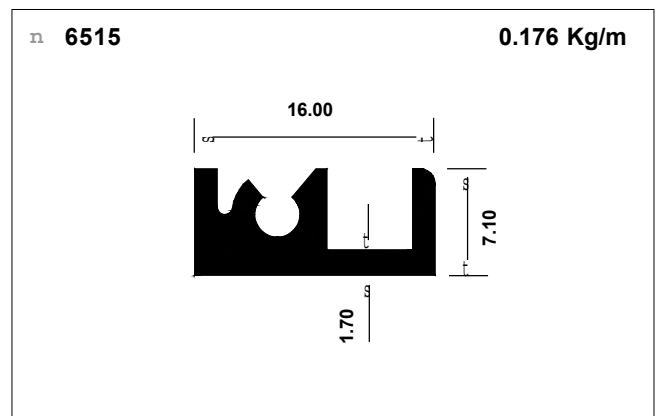
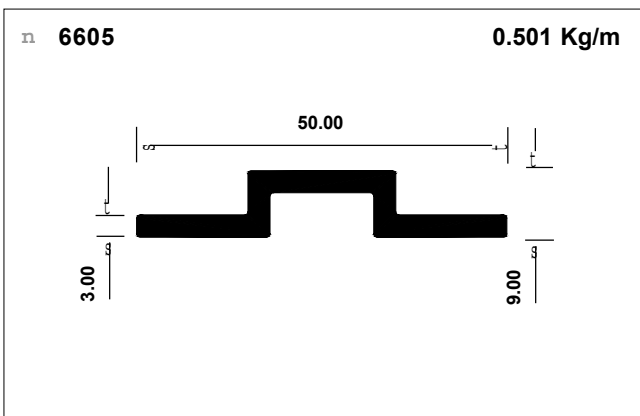
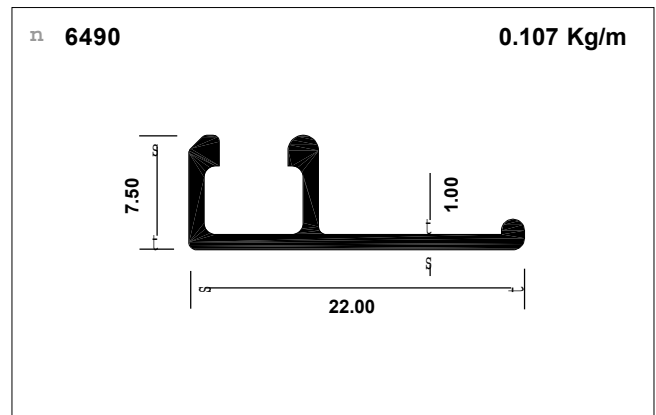
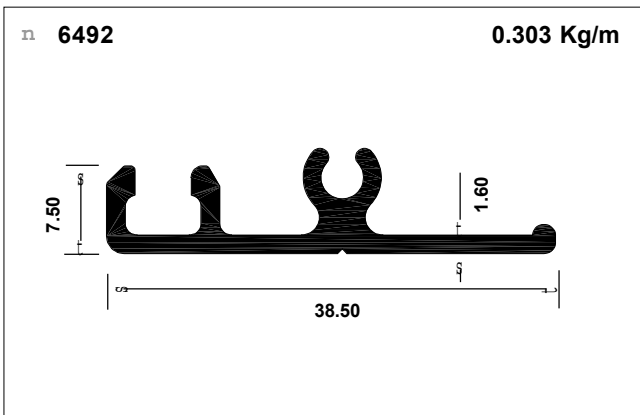
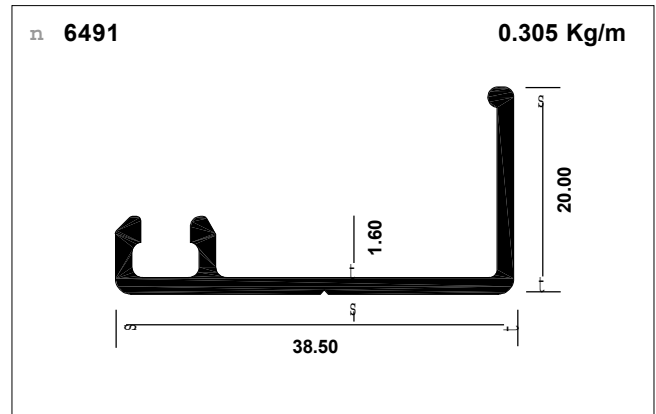
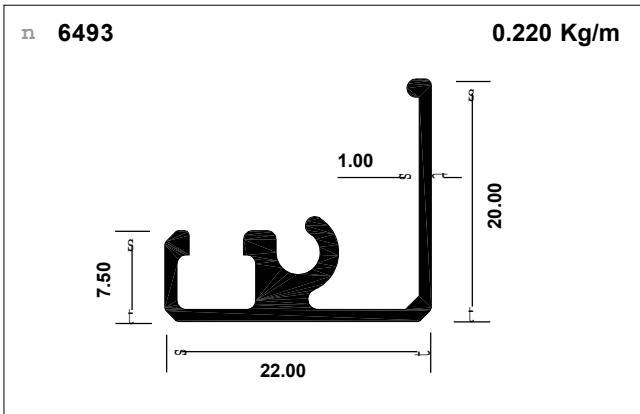
Sec	A	B	C	Kg/m
6782	93.25	25.40	1.20	0.510

n 7886

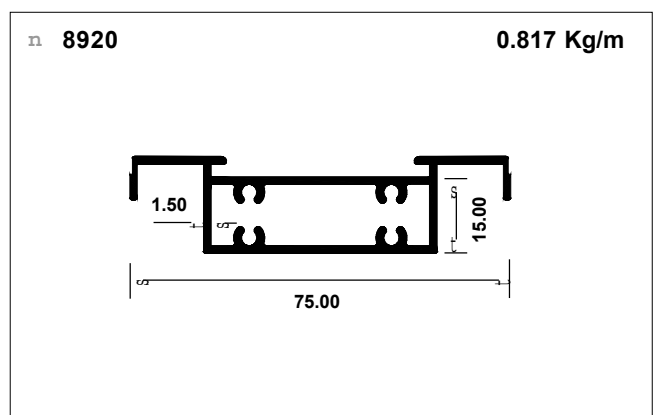
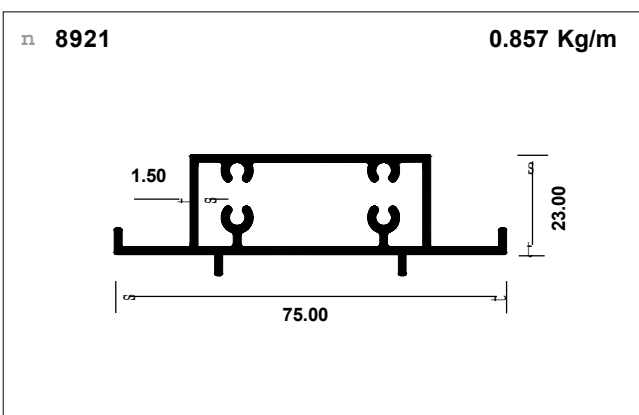
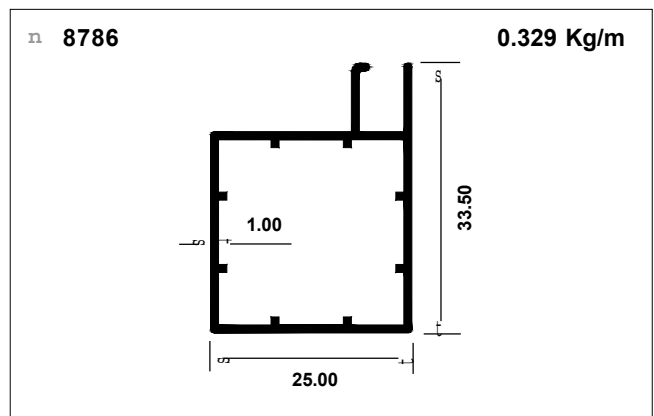
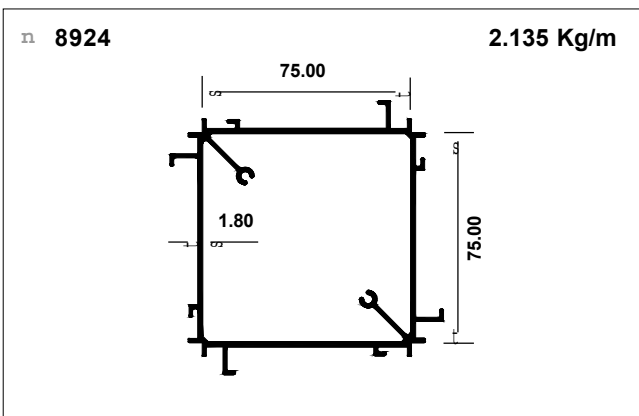
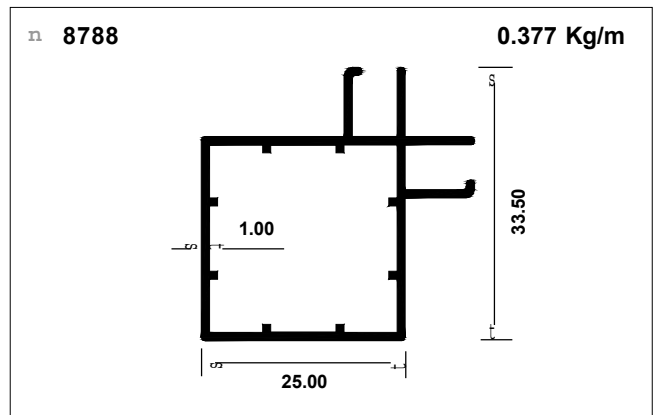
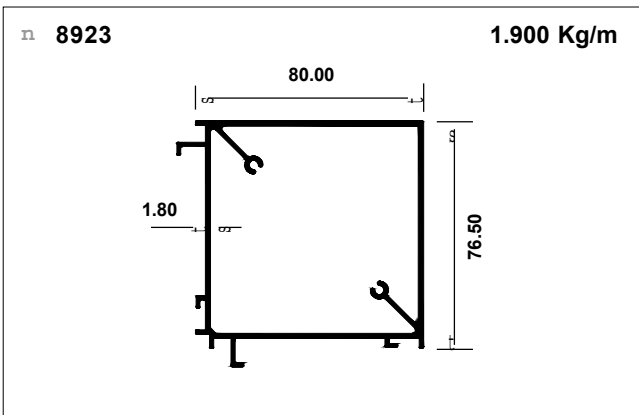
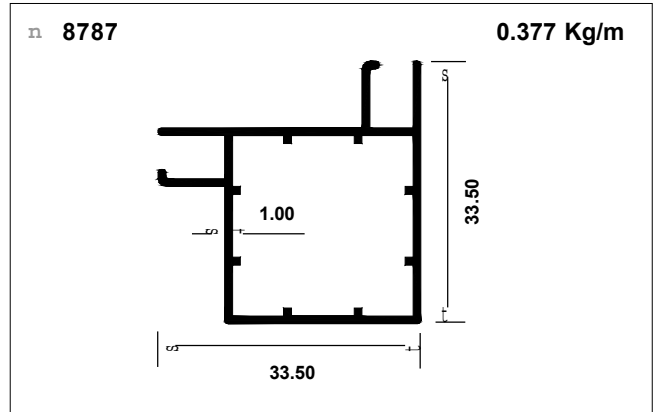
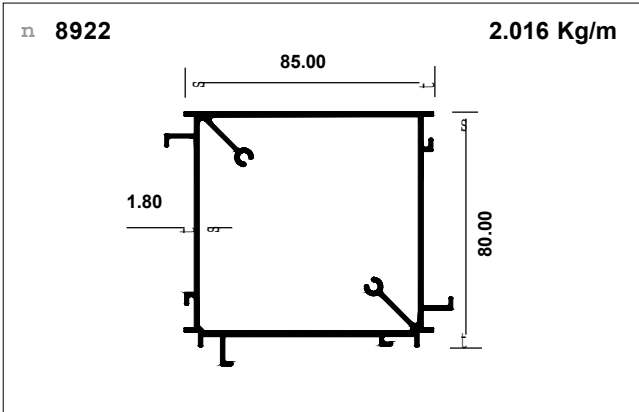
0.808 Kg/m



Solar panels



Furniture



Miscellaneous

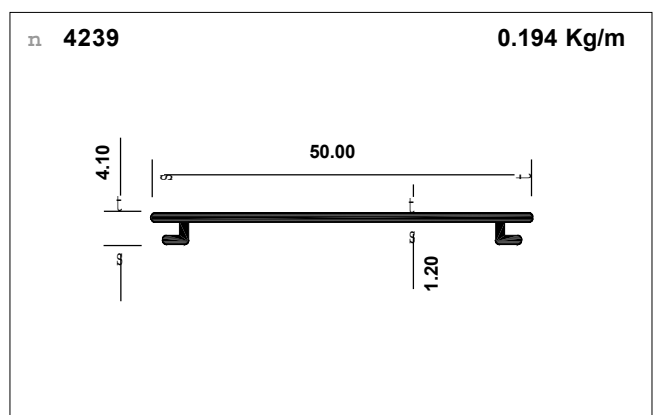
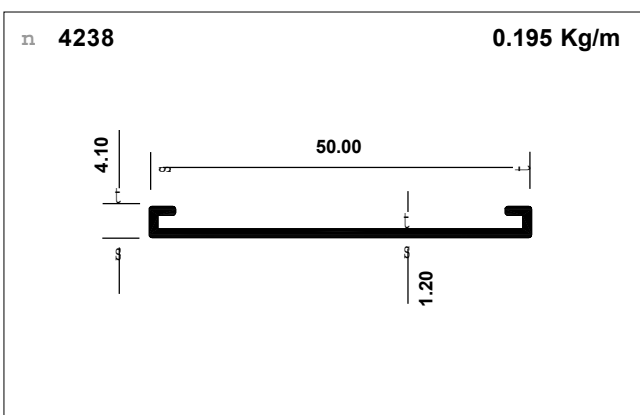
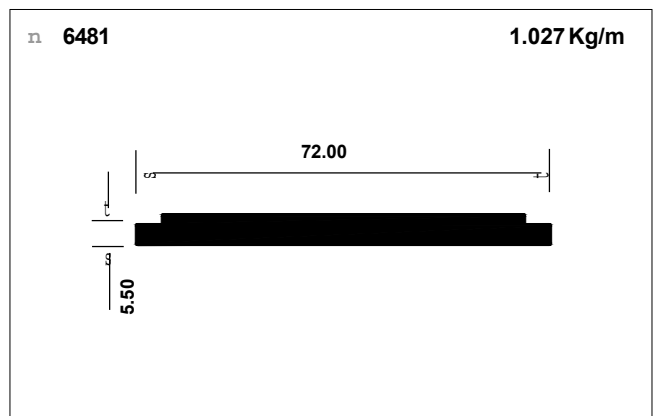
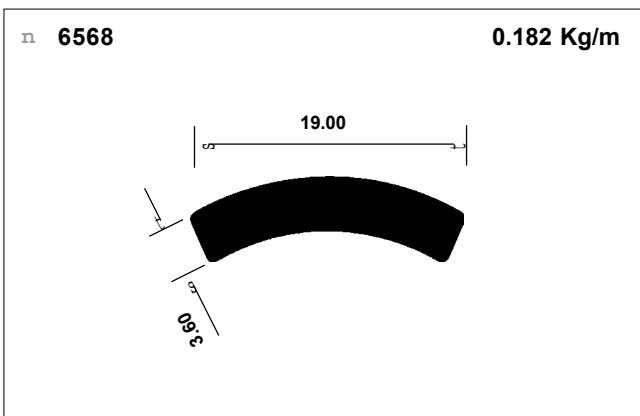
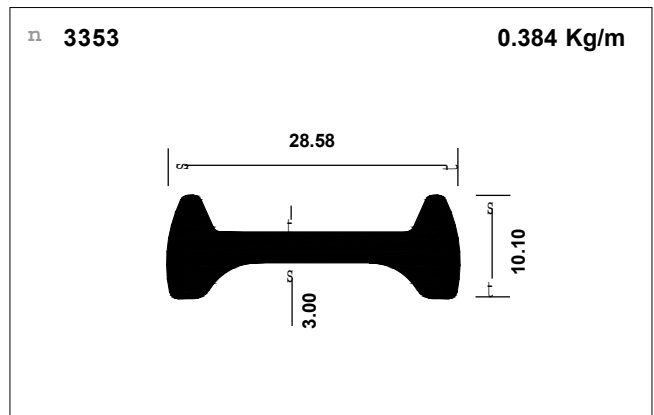
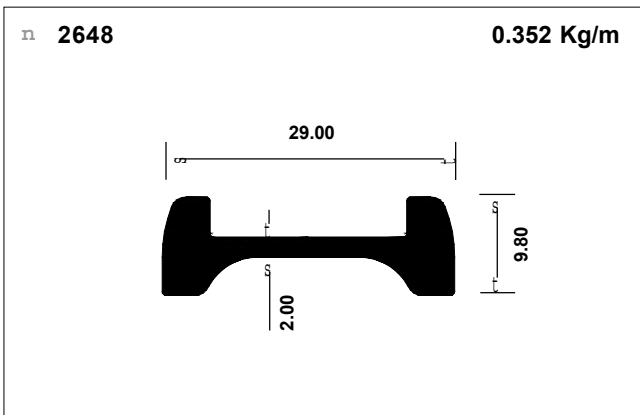
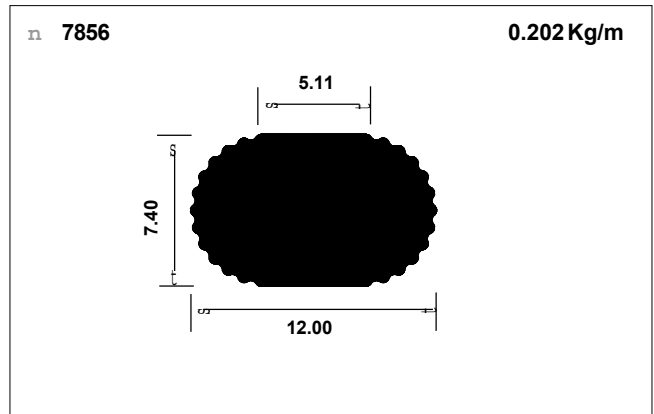
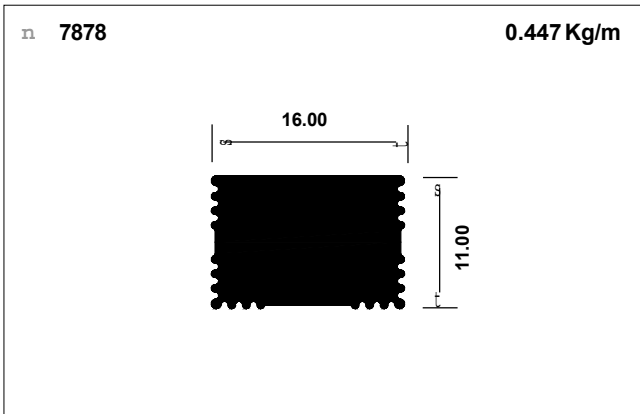
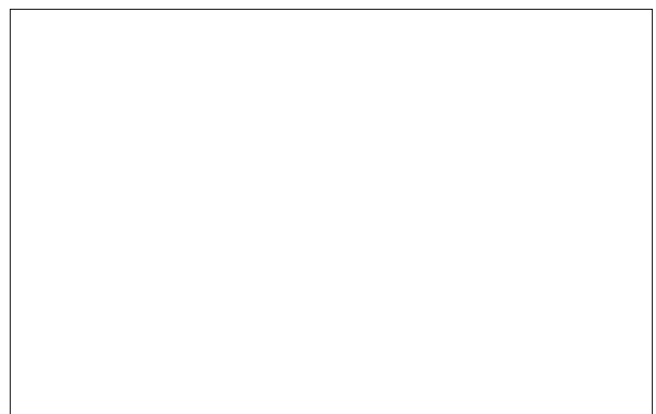
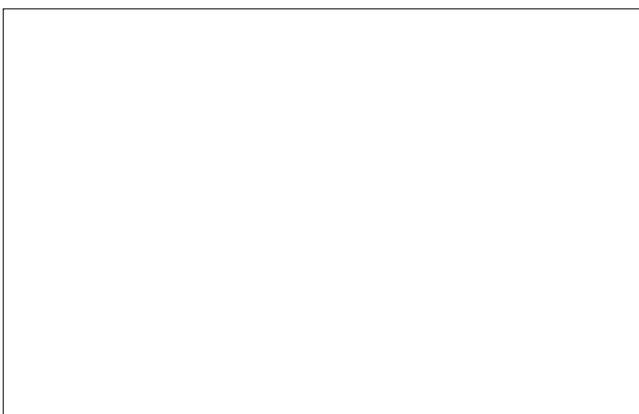
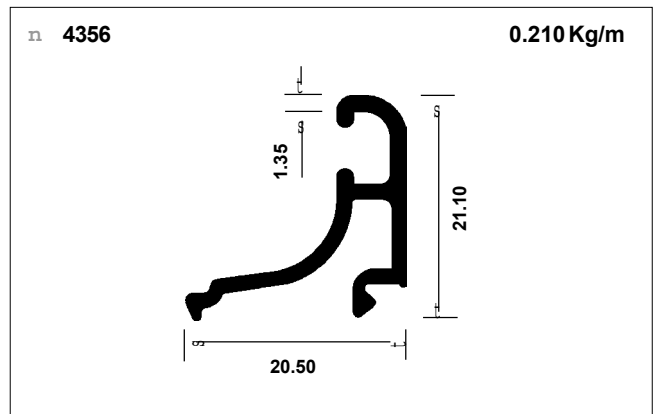
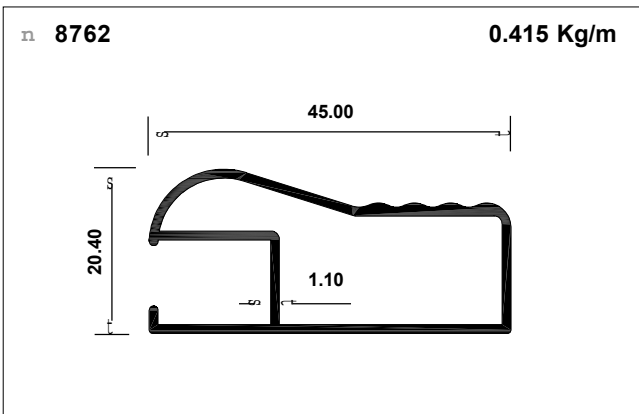
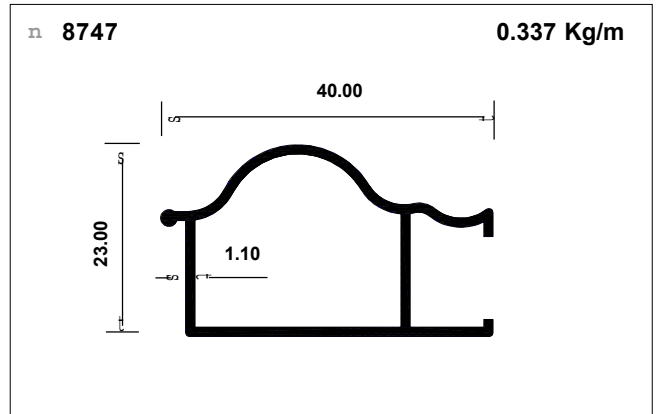
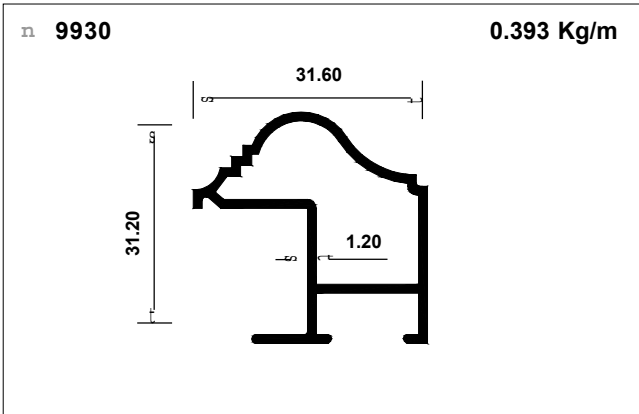
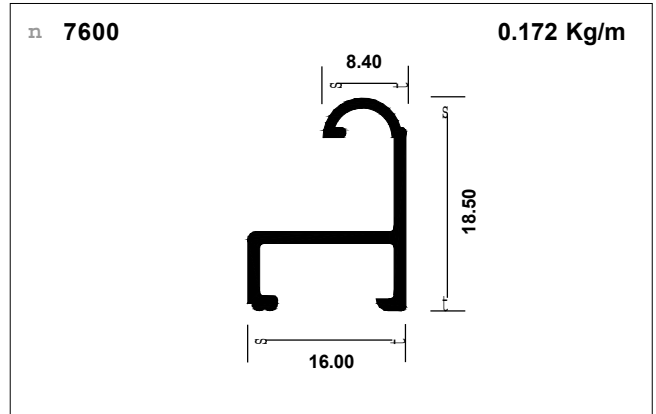
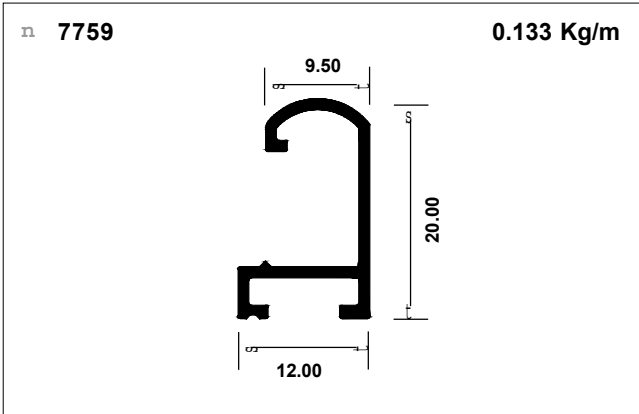
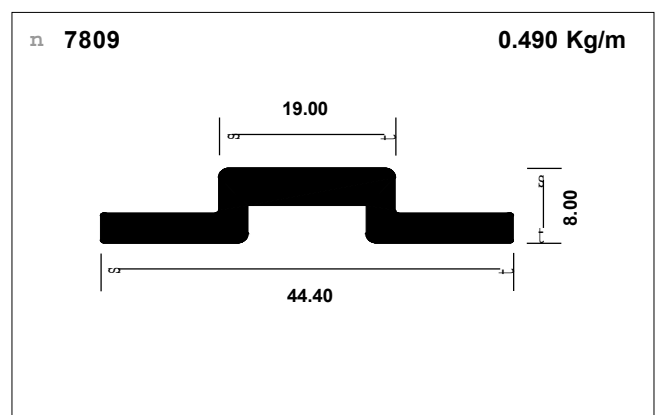
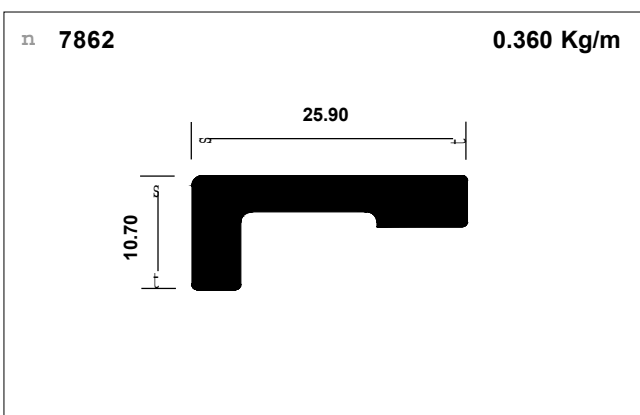
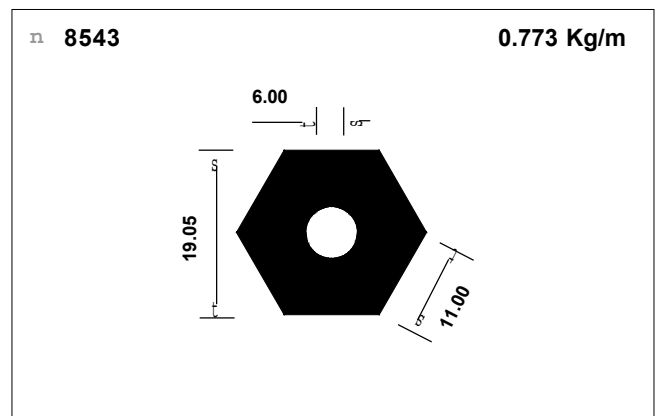
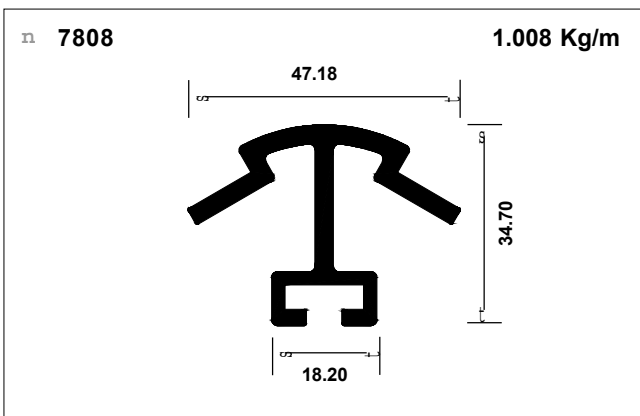
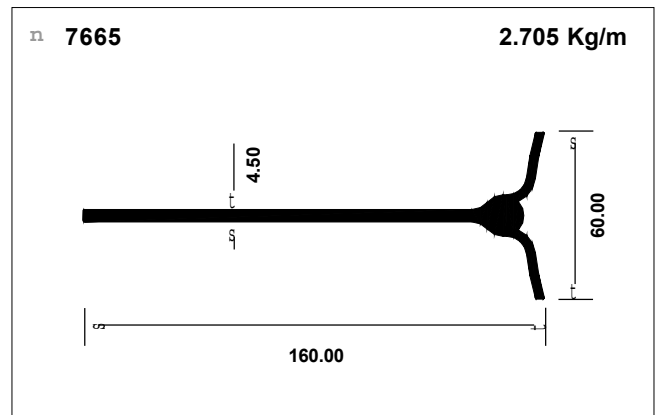
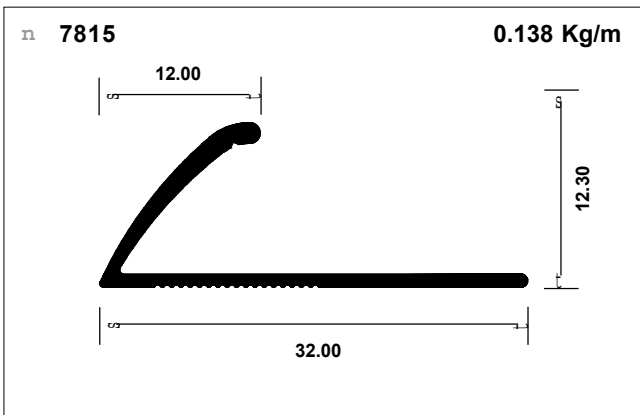
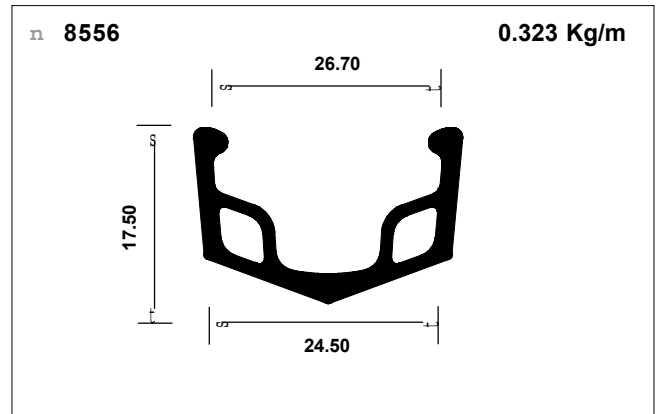
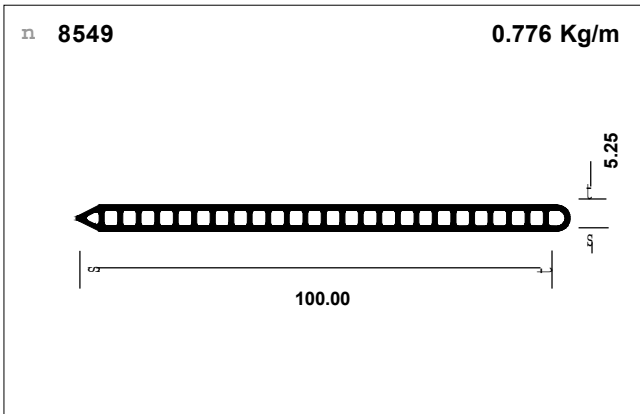


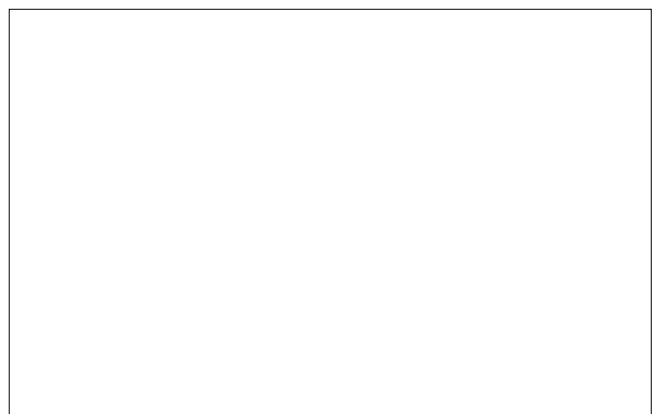
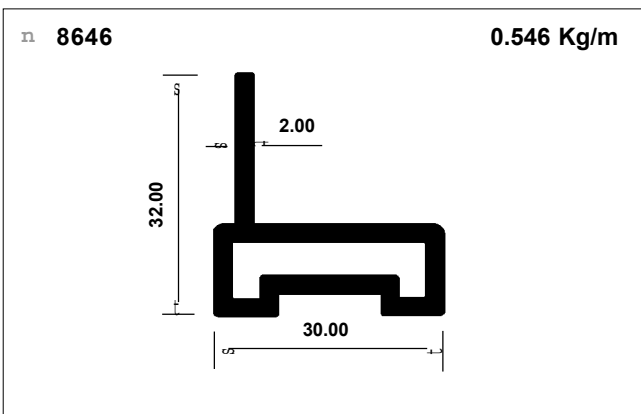
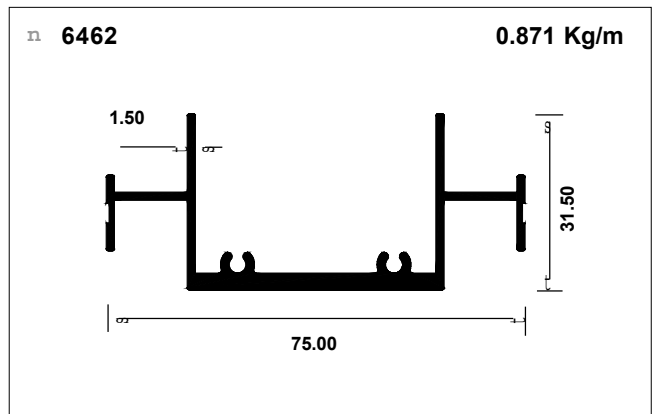
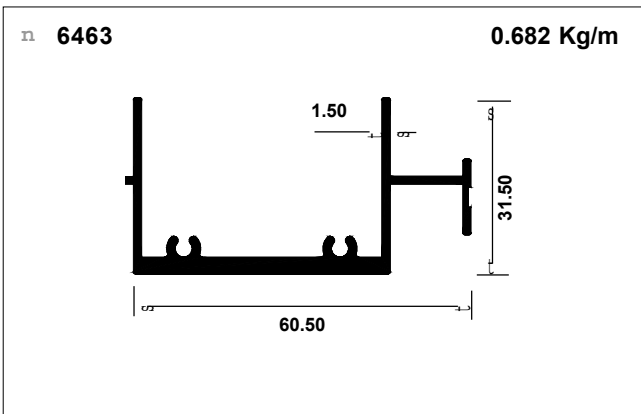
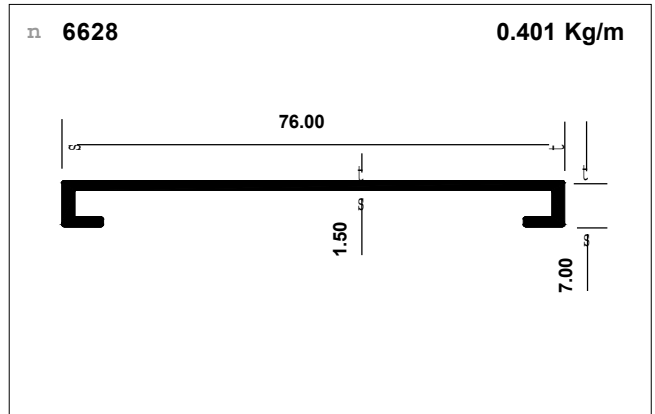
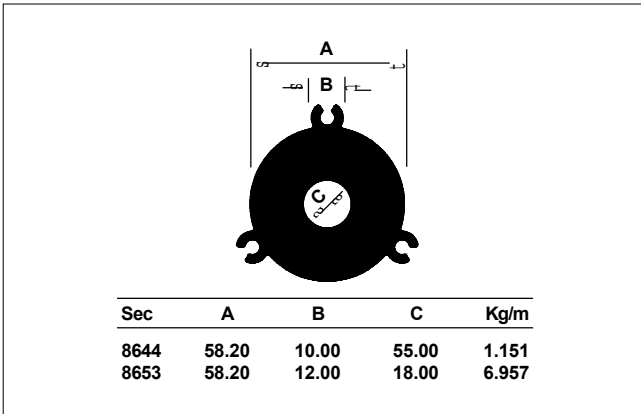
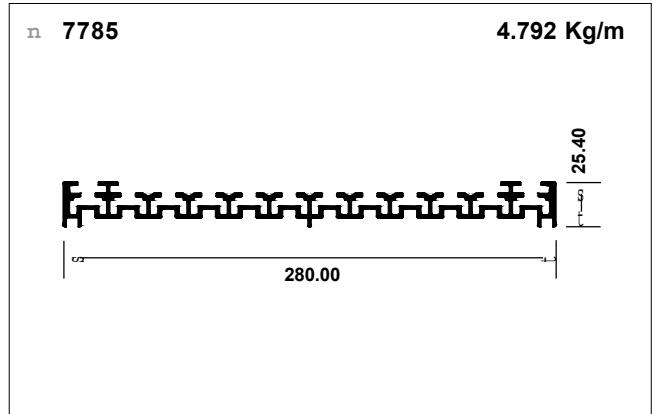
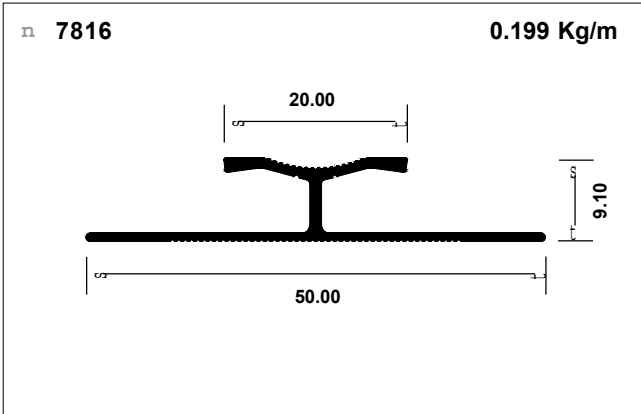
Photo Frames



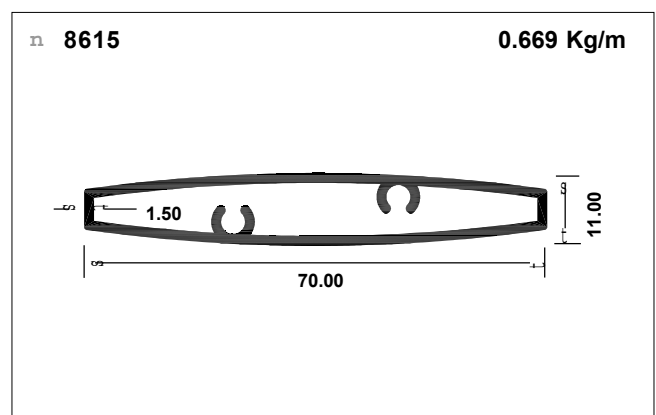
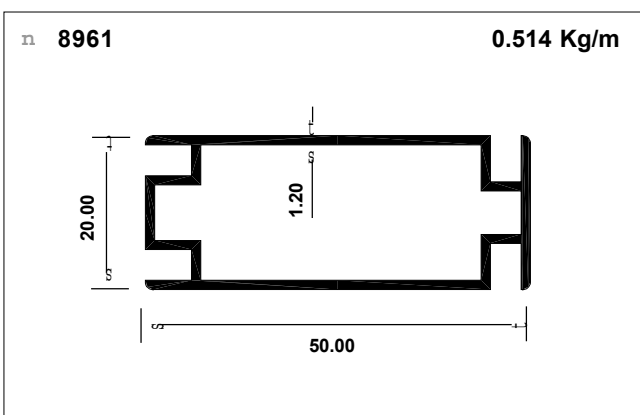
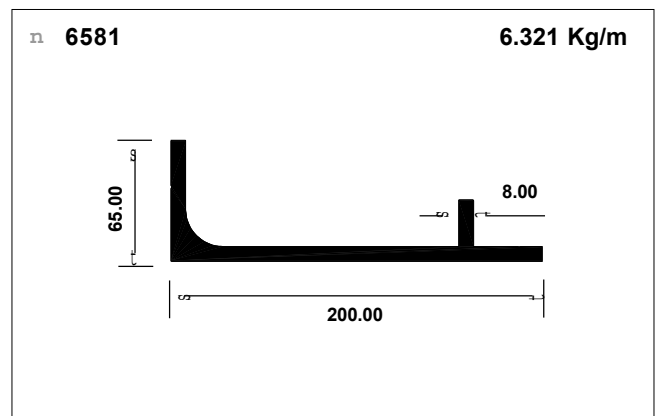
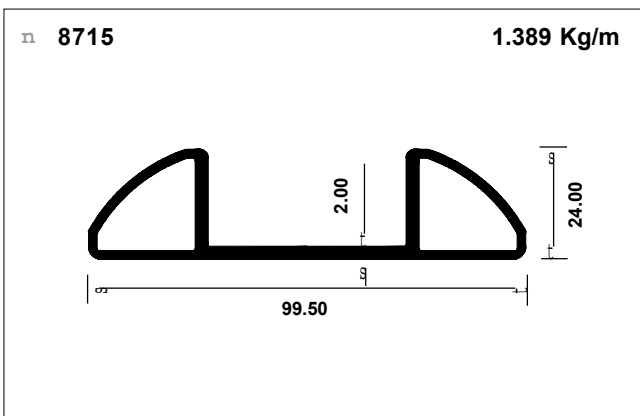
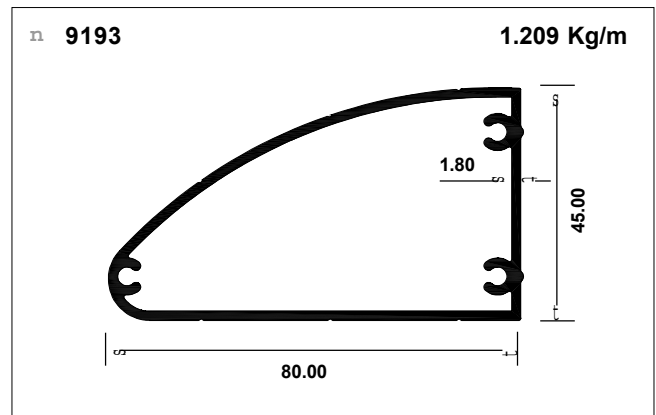
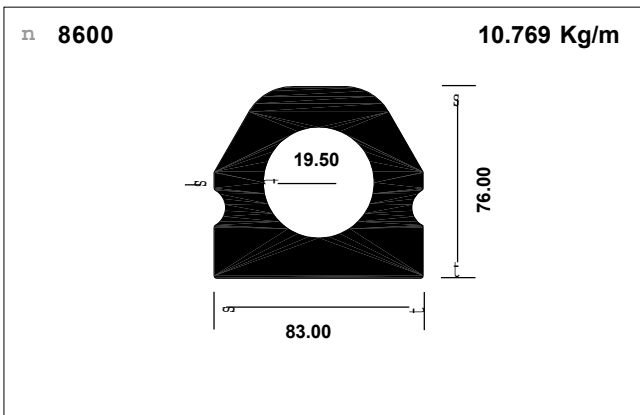
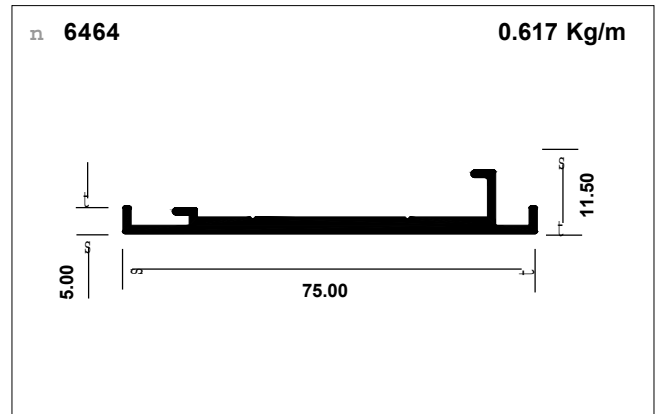
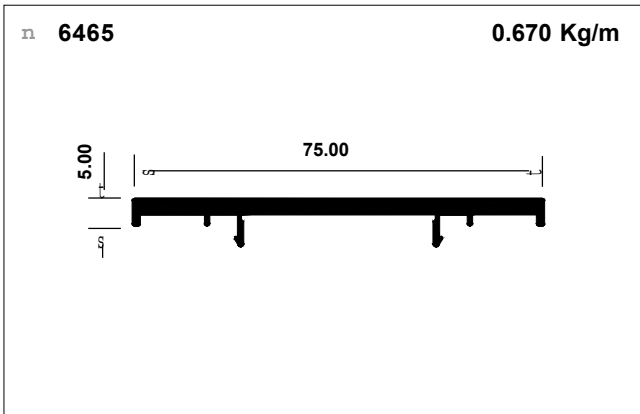
Miscellaneous



Miscellaneous



Miscellaneous



Miscellaneous

